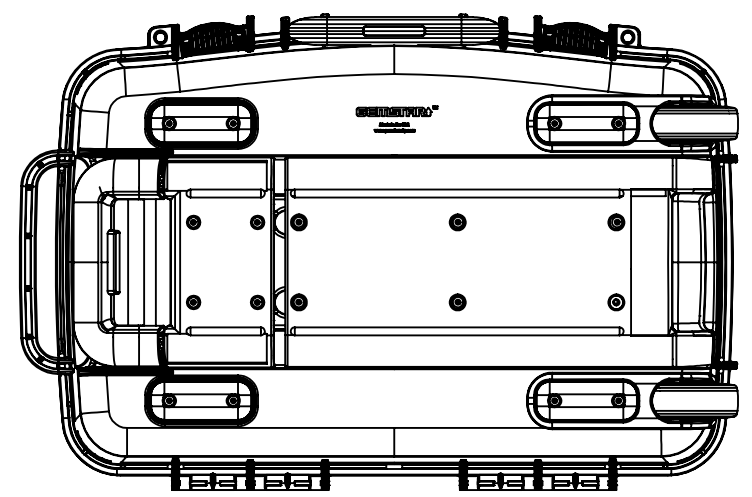
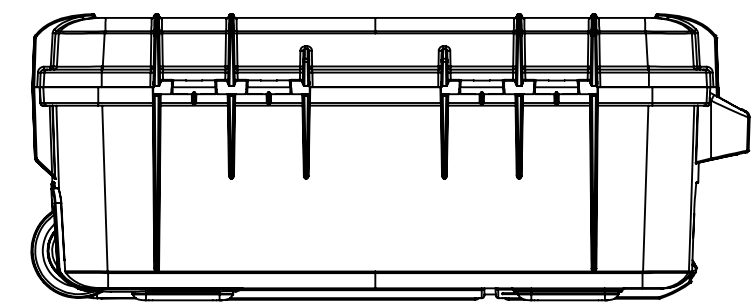
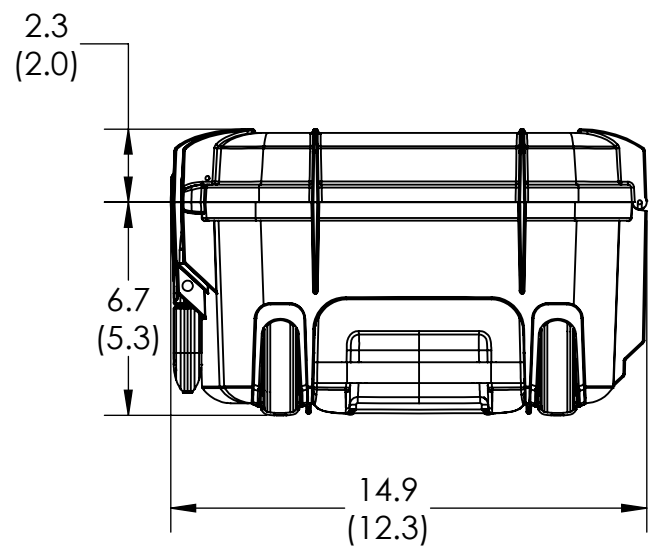
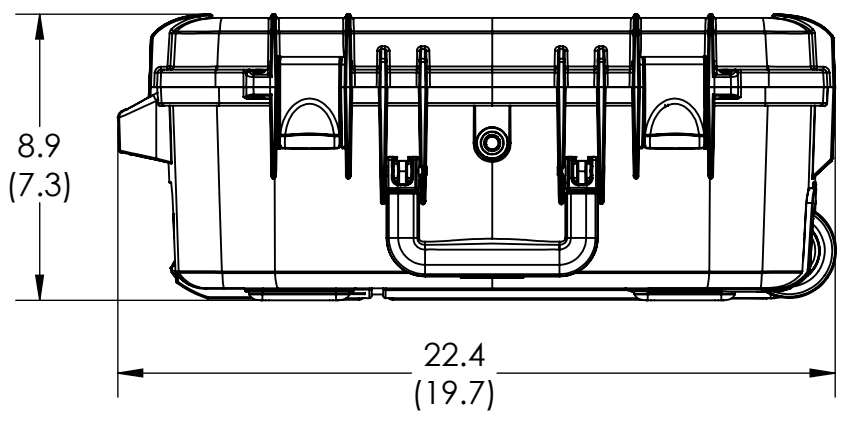
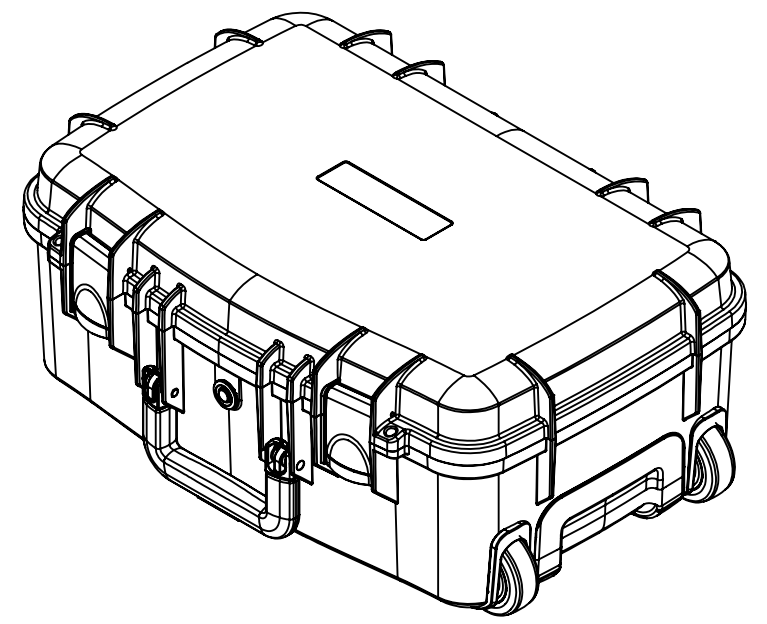
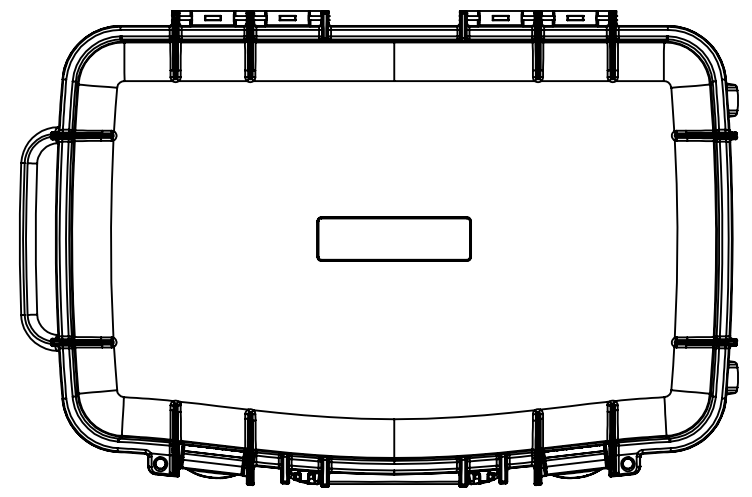


8 7 6 5 4 3 2 1



NOTE:
DIMENSIONS X.X ARE EXTERIOR DIMENSIONS
DIMENSIONS (X.X) ARE INTERIOR DIMENSIONS

| | | | | |
|--|--|--|------|--|
| SOURCE SUPPLIER Gemstar Manufacturing 103 Mensing Way Cannon Falls, MN 55009 | UNLESS OTHERWISE SPECIFIED: DIMENSIONS ARE IN INCHES TOLERANCES MOLDED FEATURES +/- .030 + .005 IN/IN 5 AXIS MACHINED FEATURES FEATURE SIZE +/- .005 FEATURE TO FEATURE +/- 0.010 FIXTURE TO FEATURE +/- 0.031 HAND ROUTED FEATURE +/- .031 | NAME | DATE | GEMSTAR MANUFACTURING TITLE: SENTINEL 1220-7 |
| | | DRAWN CHECKED ENG APPR. MFG APPR. | | |
| CAGE CODE 36NE1 | INTERPRET GEOMETRIC TOLERANCING PER: MATERIAL FINISH DO NOT SCALE DRAWING | Q.A. | | SIZE B |
| PROPRIETARY AND CONFIDENTIAL COMPUTER CONTROLLED DOCUMENT MANUAL ALTERATIONS PROHIBITED. INFORMATION CONTAINED IN THIS DRAWING ARE THE SOLE PROPERTY OF GEMSTAR MANUFACTURING. ANY REPRODUCTION IN PART OR AS A WHOLE WITHOUT THE WRITTEN PERMISSION OF GEMSTAR MANUFACTURING IS PROHIBITED. | | COMMENTS: | | DWG. NO. REV |
| | | | | SCALE: 1:6 WEIGHT: SHEET 1 OF 1 |

8 7 6 5 4 3 2 1