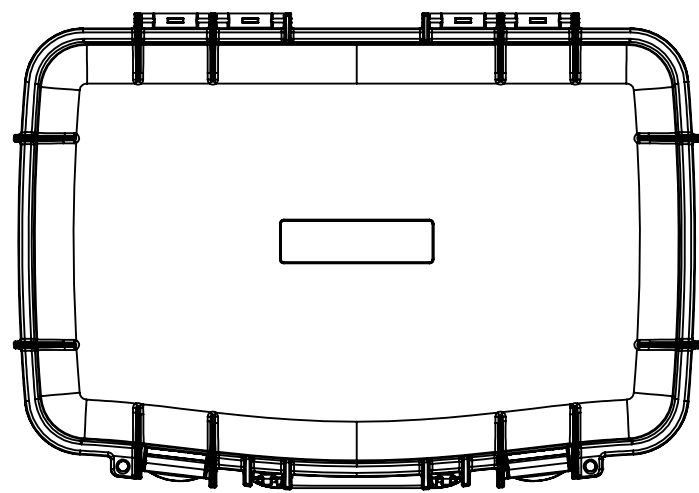


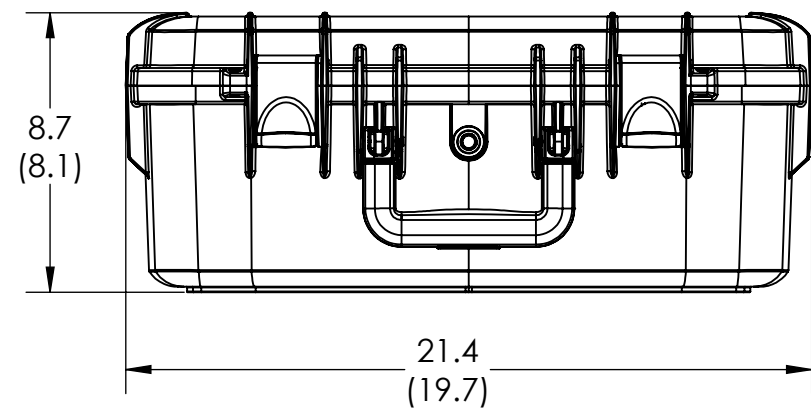
8 7 6 5 4 3 2 1

D



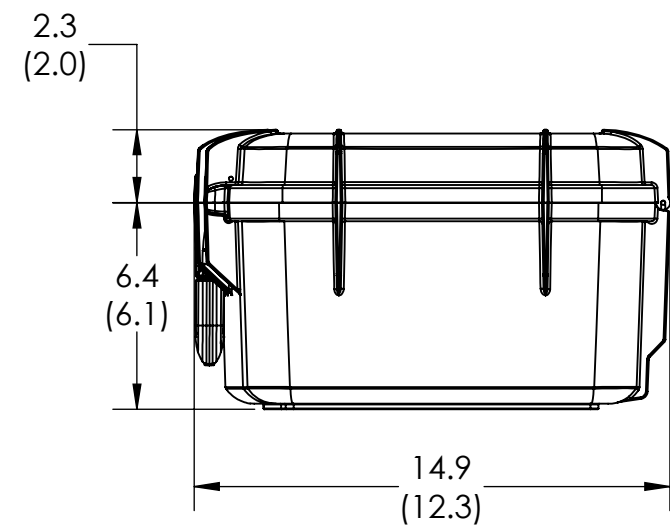
D

C

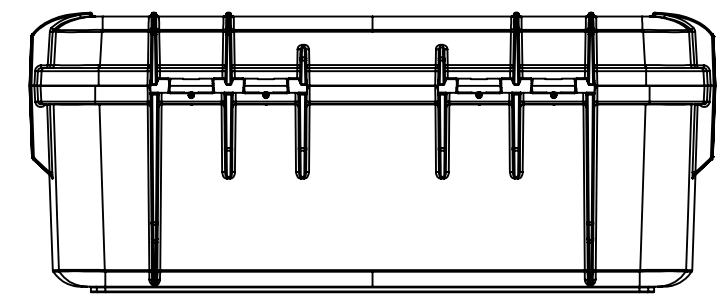


C

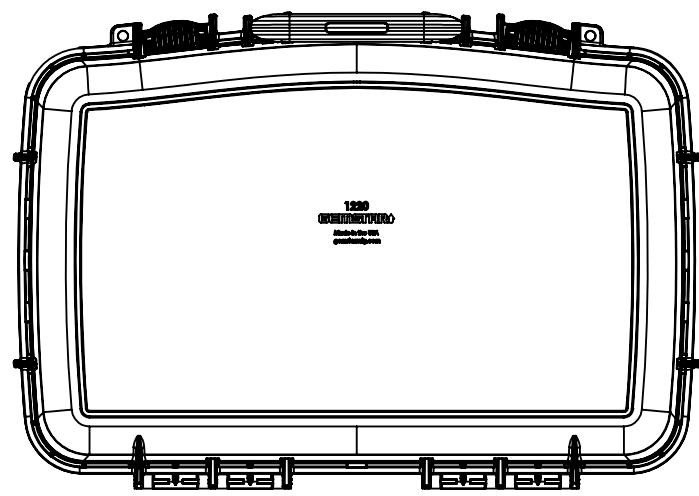
B



B



A



A

8 7 6 5 4 3 2 1

NOTE:  
DIMENSIONS X.X ARE EXTERIOR DIMENSIONS  
DIMENSIONS (X.X) ARE INTERIOR DIMENSIONS

<b>SOURCE SUPPLIER</b> Gemstar Manufacturing 103 Mensing Way Cannon Falls, MN 55009	<b>CAGE CODE</b> 36NE1	<b>PROPRIETARY AND CONFIDENTIAL</b> COMPUTER CONTROLLED DOCUMENT MANUAL ALTERATIONS PROHIBITED. INFORMATION CONTAINED IN THIS DRAWING ARE THE SOLE PROPERTY OF GEMSTAR MANUFACTURING. ANY REPRODUCTION IN PART OR AS A WHOLE WITHOUT THE WRITTEN PERMISSION OF GEMSTAR MANUFACTURING IS PROHIBITED.	UNLESS OTHERWISE SPECIFIED: DIMENSIONS ARE IN INCHES TOLERANCES MOLDED FEATURES +/- .030 + .005 IN/IN 5 AXIS MACHINED FEATURES FEATURE SIZE +/- .005 FEATURE TO FEATURE +/- 0.010 FIXTURE TO FEATURE +/- 0.031 HAND ROUTED FEATURE +/- .031		NAME	DATE	<b>GEMSTAR MANUFACTURING</b>  TITLE: <b>SENTINEL 1220-8</b>	
			DRAWN CHECKED ENG APPR. MFG APPR.			Q.A. COMMENTS:		
INTERPRET GEOMETRIC TOLERANCING PER: MATERIAL			FINISH			SIZE <b>B</b>	DWG. NO.	REV
DO NOT SCALE DRAWING					SCALE: 1:6	WEIGHT:	SHEET 1 OF 1	