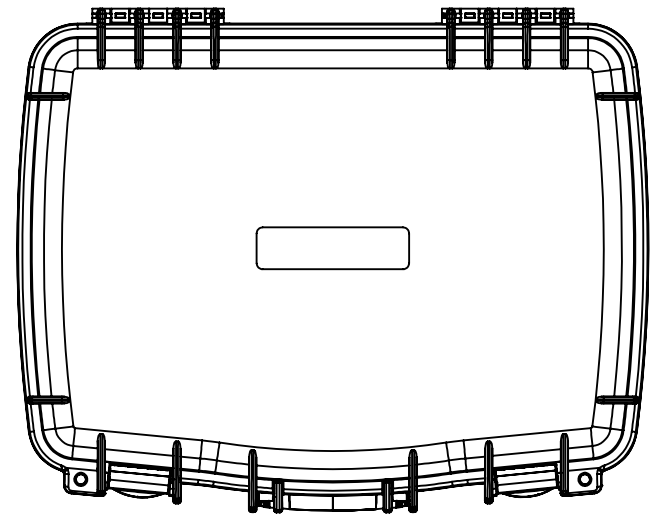
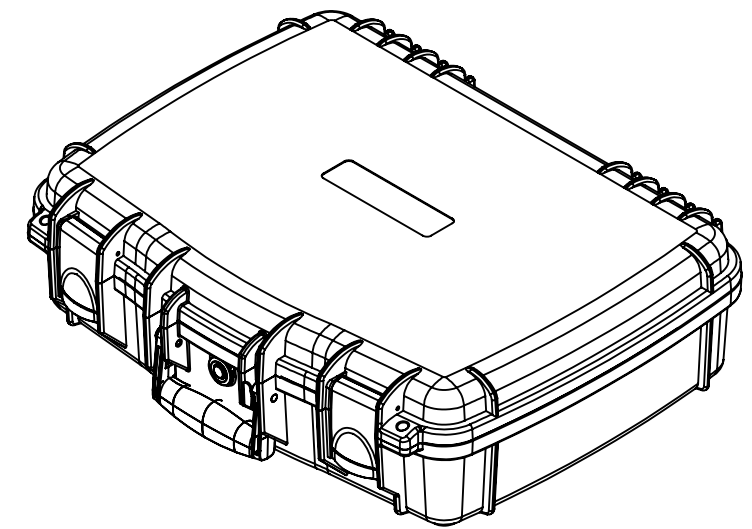


8 7 6 5 4 3 2 1

D

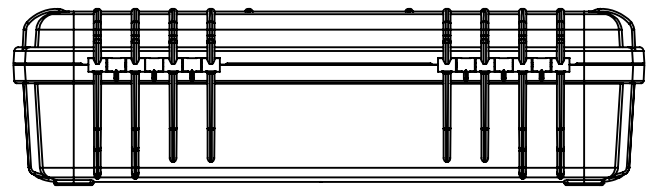
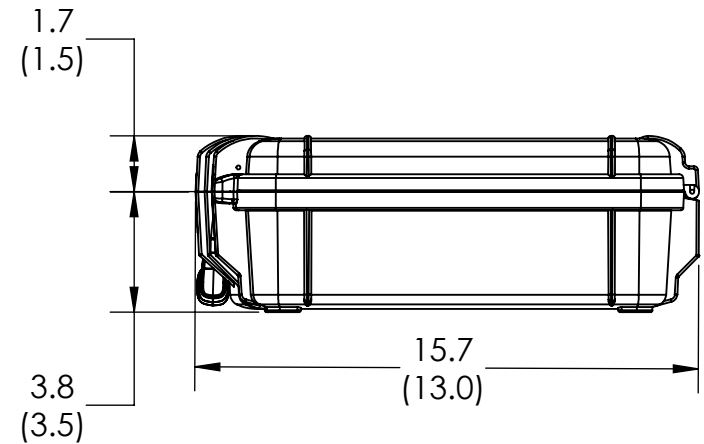
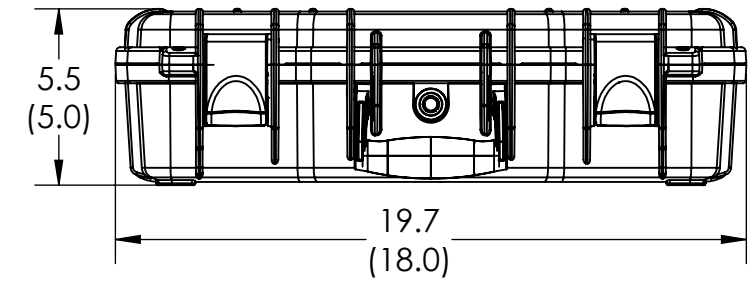


C



D

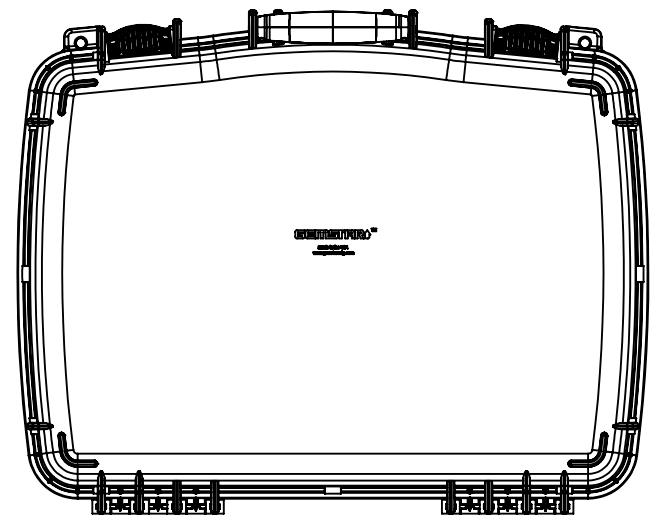
B



C

B

A



A

8 7 6 5 4 3 2 1

NOTE:
DIMENSIONS X.X ARE EXTERIOR DIMENSIONS
DIMENSIONS (X.X) ARE INTERIOR DIMENSIONS

SOURCE SUPPLIER Gemstar Manufacturing 103 Mensing Way Cannon Falls, MN 55009		UNLESS OTHERWISE SPECIFIED:		NAME		DATE		GEMSTAR MANUFACTURING	
CAGE CODE 36NE1		DIMENSIONS ARE IN INCHES TOLERANCES MOLDED FEATURES +/- .030 + .005 IN/IN 5 AXIS MACHINED FEATURES FEATURE SIZE +/- .005 FEATURE TO FEATURE +/- 0.010 FIXTURE TO FEATURE +/- 0.031 HAND ROUTED FEATURE +/- .031		DRAWN				TITLE: SENTINEL1318-5	
PROPRIETARY AND CONFIDENTIAL COMPUTER CONTROLLED DOCUMENT MANUAL ALTERATIONS PROHIBITED. INFORMATION CONTAINED IN THIS DRAWING ARE THE SOLE PROPERTY OF GEMSTAR MANUFACTURING. ANY REPRODUCTION IN PART OR AS A WHOLE WITHOUT THE WRITTEN PERMISSION OF GEMSTAR MANUFACTURING IS PROHIBITED.		INTERPRET GEOMETRIC TOLERANCING PER:		CHECKED					
MATERIAL		FINISH		ENG APPR.				SIZE DWG. NO. REV	
DO NOT SCALE DRAWING				MFG APPR.				SCALE: 1:6 WEIGHT: SHEET 1 OF 1	
				Q.A.					
				COMMENTS:					