



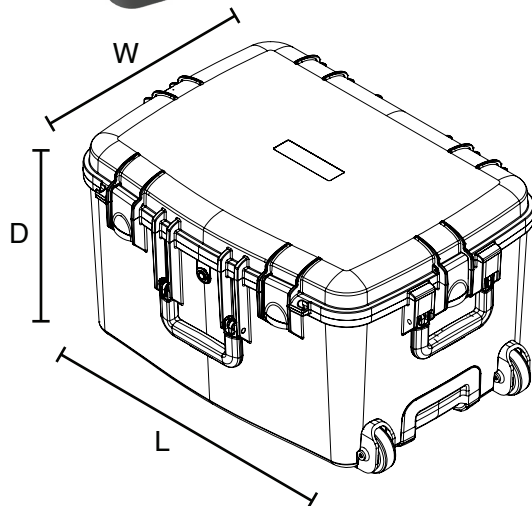
SENTINEL[®] Cases from Gemstar[®] are injection-molded cases engineered to deliver the ultimate protection for your most valuable assets—for sleek, lightweight protection that can stand up to any demand, choose SENTINEL.

Standard Features

- Injection molded construction
- Watertight, airtight, dustproof
- Automatic pressure relief valve
- Two molded-in padlock brackets
- EPDM gasket
- Military Grade Certification
- Stainless steel hardware
- Easy-open latches

Standard and Custom Options

• Offering a robust selection of custom features, colors, and sizes. For more information visit **Gemstarmfg.com**, or contact your local Distributor or Sales Manager.



Nominal INT Dimension	22.5"L x 16.2"W x 12.8"D 572L x 411W x 325D mm
Base Depth	10.8" 274 mm
Lid Depth	2.0" 51 mm
Nominal EXT Dimension	25.4"L x 18.7"W x 14.4"D 645L x 475W x 366D mm
Approx. Weight	17.5 lbs 7.9 kg
Features	<ul style="list-style-type: none"> • Overmolded handle • Wheels • Pull handle • Easy-open latches (4)