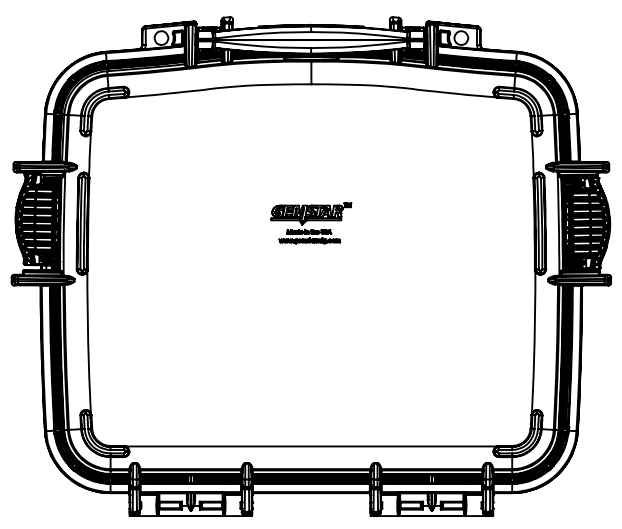
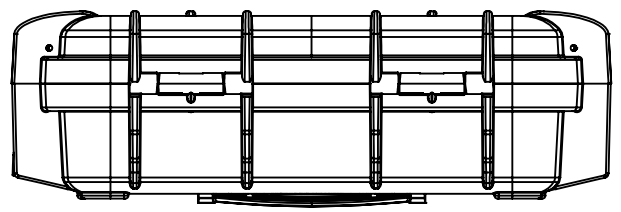
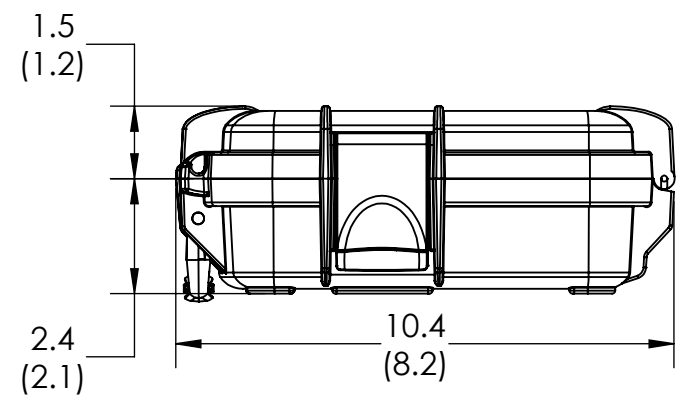
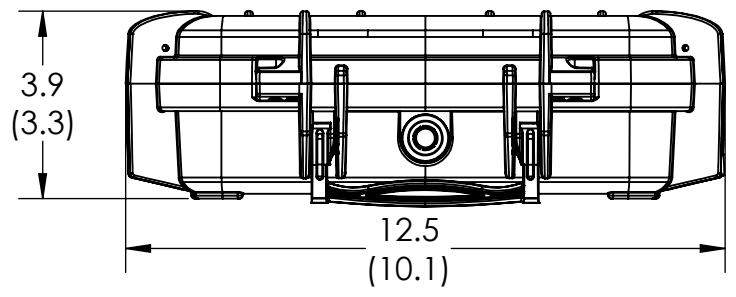
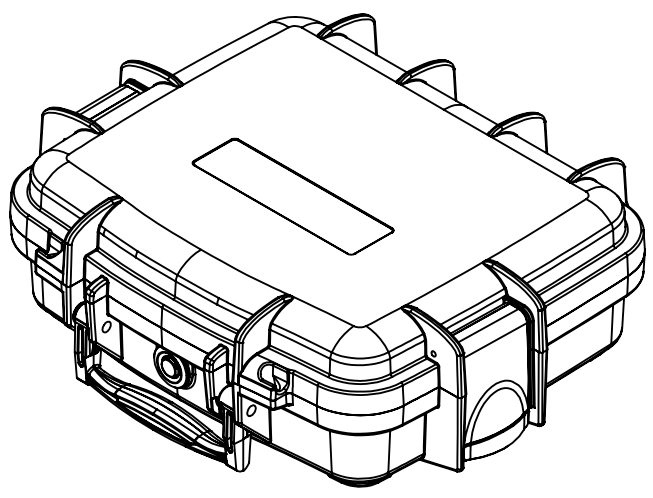
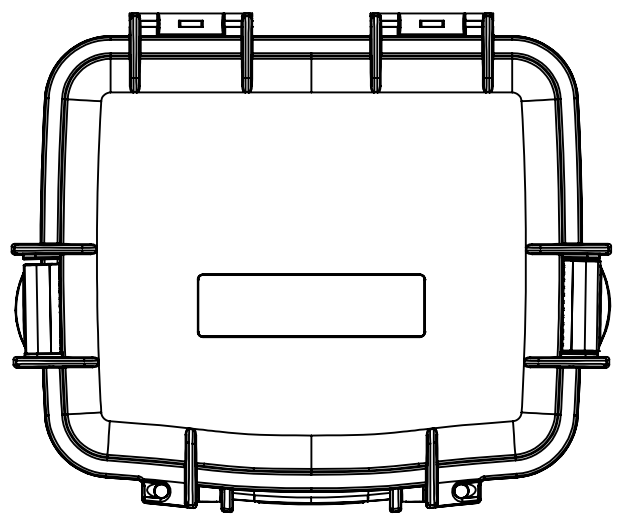


8 7 6 5 4 3 2 1

D  
C  
B  
A

D  
C  
B  
A



NOTE:  
DIMENSIONS X.X ARE EXTERIOR DIMENSIONS  
DIMENSIONS (X.X) ARE INTERIOR DIMENSIONS

<b>SOURCE SUPPLIER</b> Gemstar Manufacturing 103 Mensing Way Cannon Falls, MN 55009	<b>CAGE CODE</b> 36NE1	<b>PROPRIETARY AND CONFIDENTIAL</b> COMPUTER CONTROLLED DOCUMENT MANUAL ALTERATIONS PROHIBITED. INFORMATION CONTAINED IN THIS DRAWING ARE THE SOLE PROPERTY OF GEMSTAR MANUFACTURING. ANY REPRODUCTION IN PART OR AS A WHOLE WITHOUT THE WRITTEN PERMISSION OF GEMSTAR MANUFACTURING IS PROHIBITED.	UNLESS OTHERWISE SPECIFIED:  DIMENSIONS ARE IN INCHES TOLERANCES MOLDED FEATURES +/- .030 + .005 IN/IN 5 AXIS MACHINED FEATURES FEATURE SIZE +/- .005 FEATURE TO FEATURE +/- 0.010 FIXTURE TO FEATURE +/- 0.031 HAND ROUTED FEATURE +/- .031		NAME	DATE	GEMSTAR MANUFACTURING		
			DRAWN	CHECKED	ENG APPR.	MFG APPR.		Q.A.	COMMENTS:
INTERPRET GEOMETRIC TOLERANCING PER: MATERIAL			FINISH		DO NOT SCALE DRAWING		SIZE <b>B</b>	DWG. NO.	REV
					SCALE: 1:4		SHEET 1 OF 1		

8 7 6 5 4 3 2 1