



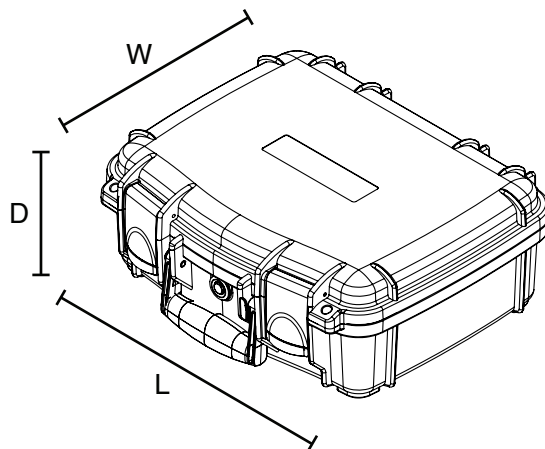
**SENTINEL<sup>®</sup> Cases from Gemstar<sup>®</sup> are injection-molded cases engineered to deliver the ultimate protection for your most valuable assets—for sleek, lightweight protection that can stand up to any demand, choose SENTINEL.**

**Standard Features**

- Injection molded construction
- Watertight, airtight, dustproof
- Automatic pressure relief valve
- Two molded-in padlock brackets
- EPDM gasket
- Military Grade Certification
- Stainless steel hardware
- Easy-open latches

**Standard and Custom Options**

- Offering a robust selection of custom features, colors, and sizes. For more information visit [Gemstarmfg.com](http://Gemstarmfg.com), or contact your local Distributor or Sales Manager.



Nominal INT Dimension	12.7"L x 9.5"W x 4.8"D 323L x 241W x 122D mm
Base Depth	3.5" 89 mm
Lid Depth	1.3" 33 mm
Nominal EXT Dimension	14.0"L x 12.1"W x 5.3"D 356L x 307W x 135D mm
Approx. Weight	3.8 lbs 1.7 kg
Features	<ul style="list-style-type: none"> <li>• Overmolded handle</li> <li>• Easy-open latches (2)</li> </ul>