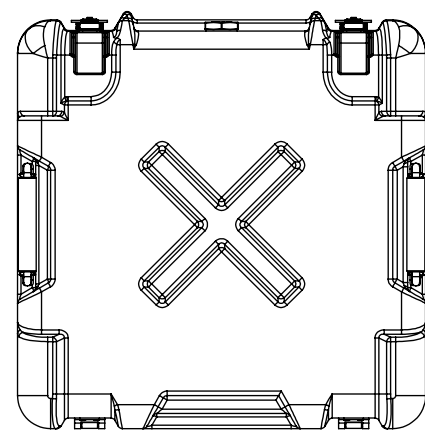
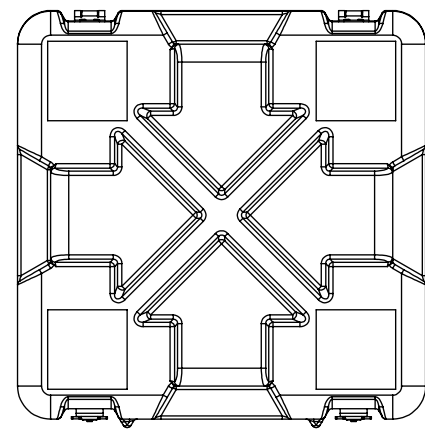
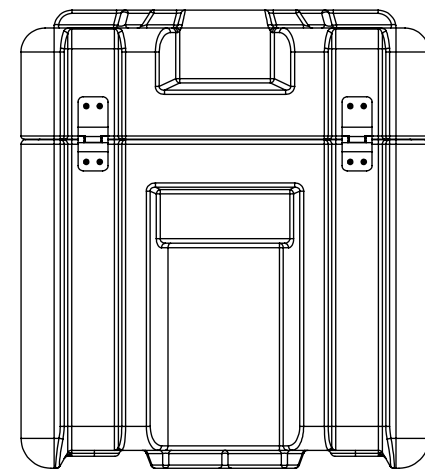
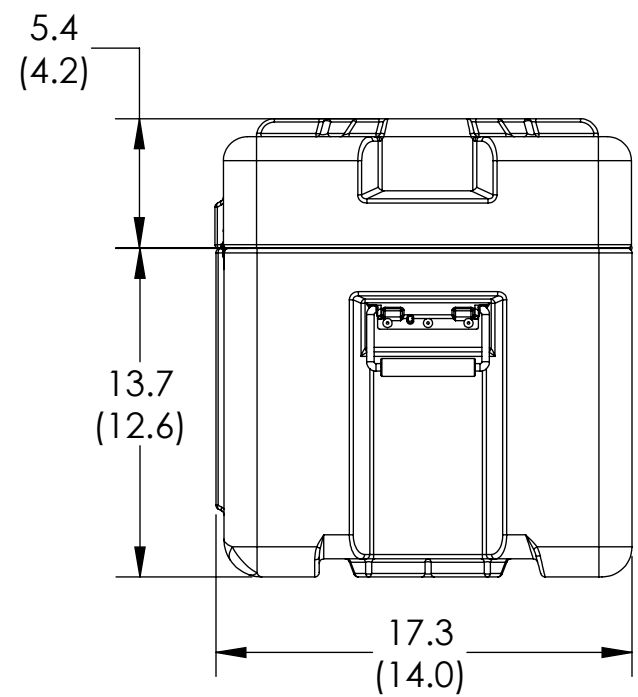
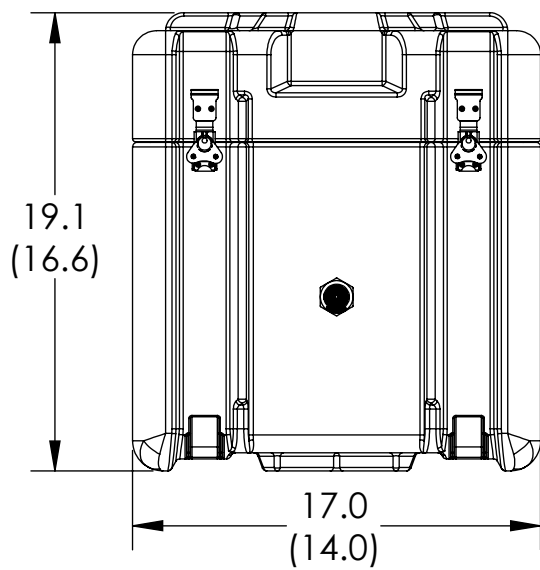
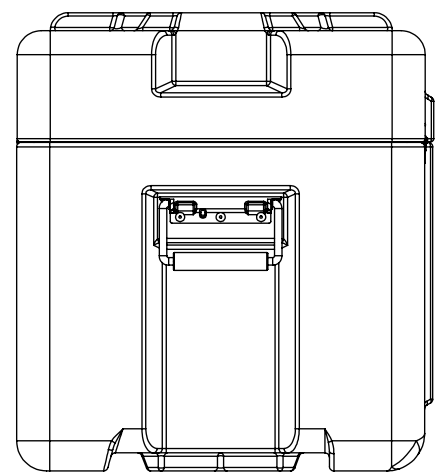


8 7 6 5 4 3 2 1

D  
C  
B  
A

D  
C  
B  
A



**SPECIALTY CASES**  
 [DESIGN ■ SUPPORT ■ PROTECT]  
 P.O. Box 936  
 Sykesville, MD 21784  
 Phone: (800) 267-1674  
<https://www.specialtycases.com>

NOTE:  
 DIMENSIONS X.X ARE EXTERIOR DIMENSIONS  
 DIMENSIONS (X.X) ARE INTERIOR DIMENSIONS

<b>SOURCE SUPPLIER</b> Gemstar Manufacturing 103 Mensing Way Cannon Falls, MN 55009	<b>CAGE CODE</b> <b>36NE1</b>	<b>PROPRIETARY AND CONFIDENTIAL</b> THE INFORMATION CONTAINED IN THIS DRAWING IS THE SOLE PROPERTY OF GEMSTAR MANUFACTURING. ANY REPRODUCTION IN PART OR AS A WHOLE WITHOUT THE WRITTEN PERMISSION OF GEMSTAR MANUFACTURING IS PROHIBITED.	UNLESS OTHERWISE SPECIFIED:		NAME	DATE	<b>GEMSTAR MANUFACTURING</b>
			DIMENSIONS ARE IN INCHES TOLERANCES MOLDED FEATURES +/- .030 + .005 IN/IN 5 AXIS MACHINED FEATURES FEATURE SIZE +/- .005 FEATURE TO FEATURE +/- 0.010 FIXTURE TO FEATURE +/- 0.031 HAND ROUTED FEATURE +/- .031		DRAWN		
			INTERPRET GEOMETRIC TOLERANCING PER:		CHECKED		<b>SIZE</b> <b>B</b>
			MATERIAL		ENG APPR.		
			FINISH		MFG APPR.		SCALE: 1:8 SHEET 1 OF 1
			DO NOT SCALE DRAWING		Q.A.		
					COMMENTS:		

8 7 6 5 4 3 2 1