

8 7 6 5 4 3 2 1

D

C

B

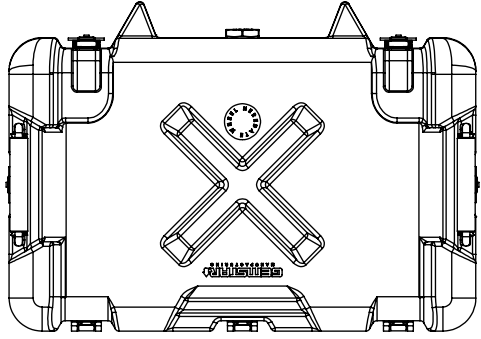
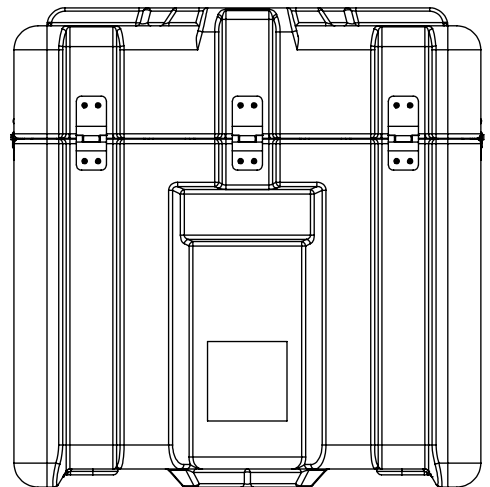
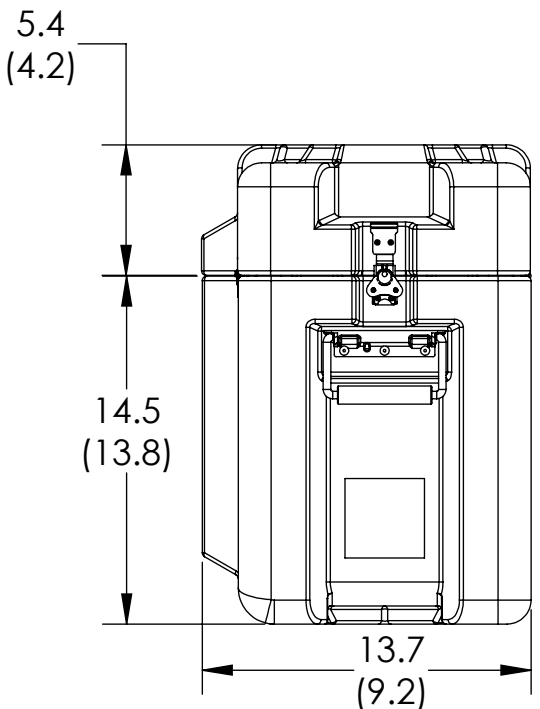
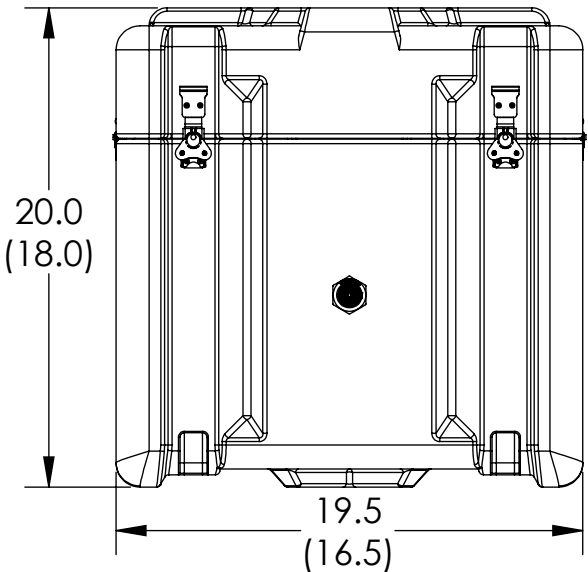
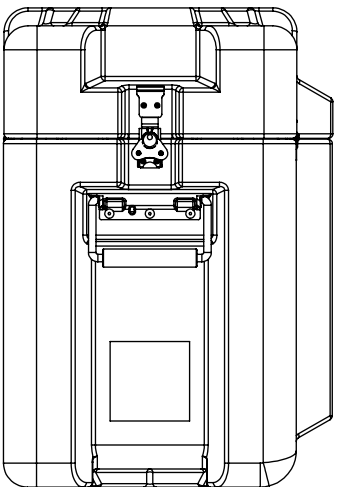
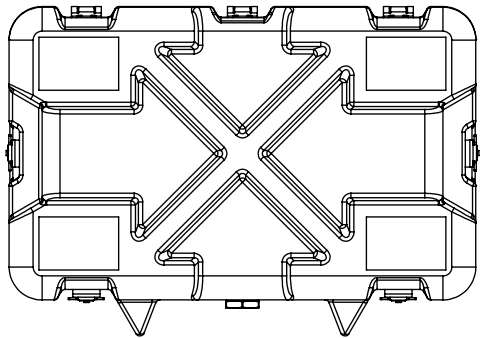
A

D

C

B

A



NOTE:  
DIMENSIONS X.X ARE EXTERIOR DIMENSIONS  
DIMENSIONS (X.X) ARE INTERIOR DIMENSIONS

**SPECIALTY CASES**  
[DESIGN ■ SUPPORT ■ PROTECT]  
P.O. Box 936  
Sykesville, MD 21784  
Phone: (800) 267-1674  
<https://www.specialtycases.com>

<b>SOURCE SUPPLIER</b> Gemstar Manufacturing 103 Mensing Way Cannon Falls, MN 55009	<b>CAGE CODE</b> <b>36NE1</b>	<b>PROPRIETARY AND CONFIDENTIAL</b> THE INFORMATION CONTAINED IN THIS DRAWING IS THE SOLE PROPERTY OF GEMSTAR MANUFACTURING. ANY REPRODUCTION IN PART OR AS A WHOLE WITHOUT THE WRITTEN PERMISSION OF GEMSTAR MANUFACTURING IS PROHIBITED.	UNLESS OTHERWISE SPECIFIED:		NAME	DATE	<b>GEMSTAR MANUFACTURING</b>  TITLE: <h1>SH1609-1304</h1>
			DIMENSIONS ARE IN INCHES TOLERANCES MOLDED FEATURES +/- .030 + .005 IN/IN 5 AXIS MACHINED FEATURES FEATURE SIZE +/- .005 FEATURE TO FEATURE +/- 0.010 FIXTURE TO FEATURE +/- 0.031 HAND ROUTED FEATURE +/- .031	DRAWN CHECKED ENG APPR. MFG APPR.	COMMENTS:		
INTERPRET GEOMETRIC TOLERANCING PER: MATERIAL FINISH			DO NOT SCALE DRAWING		SCALE: 1:8		SHEET 1 OF 1

8 7 6 5 4 3 2 1