



STRONGHOLD[®] Cases from Gemstar[®] offer MIL-STD durability and airtight protection for high-value cargo. Featuring rotationally-molded double walls and thick corners STRONGHOLD is the choice for rugged, versatile and dependable protection.

Standard Features

- Rotationally molded, double-walled durability
- IP67 rated; watertight, airtight and dust-proof with automatic pressure relief valve
- Meets or exceeds MIL-STD 810F and meets military LLRC standards*
- Recessed, heavy-duty black stainless steel hardware
- Field serviceable hardware
- Spring-loaded handles
- Tongue & groove construction with gasket
- Interlocking, stackable design
- Choice of 10 standard colors

Guaranteed Performance*

* See website for guarantee details, complete certifications and test procedures.

Standard Models

- SH1609-1304

Standard and Custom Options

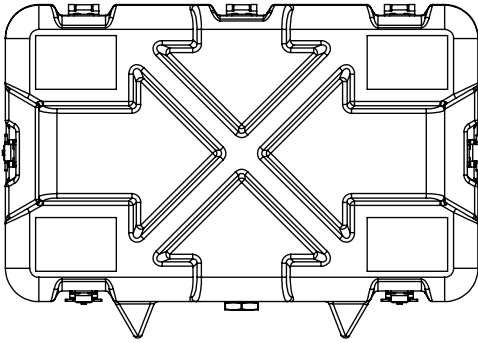
- Offering a robust selection of custom features, colors, and sizes. For more information visit **Gemstarmfg.com**, or contact your local Distributor or Sales Manager.

Standard Color Options**



** Colors are approximate and are for visual purposes only.

SH1609-1304 Top Profile

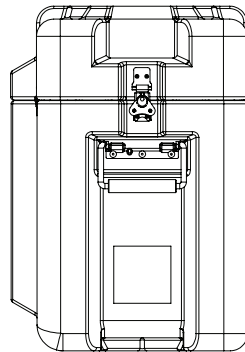
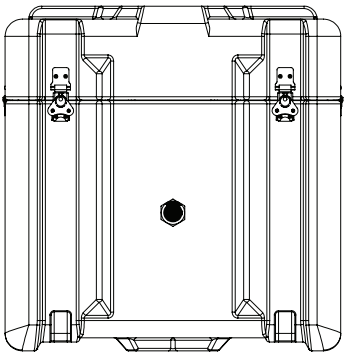


MODEL NUMBER KEY

SH16 09-13 04

Length ———— Lid
Width ———— Base
Model numbers refer to interior dimensions

SH1609-1304 Side and End Profile



Nominal INT Dimension	16.5"L x 9.2"W x 18.0"D 419L x 233W x 456D mm
Base Depth	13.8" 350 mm
Lid Depth	4.2" 106 mm
Nominal EXT Dimension	19.4"L x 13.8"W x 20.0"D 492L x 350W x 508D mm
Approx. Weight	16.6 lbs 7.5 kg
Features	<ul style="list-style-type: none"> • Hinged lid • Stainless steel handles (2) • PRV

