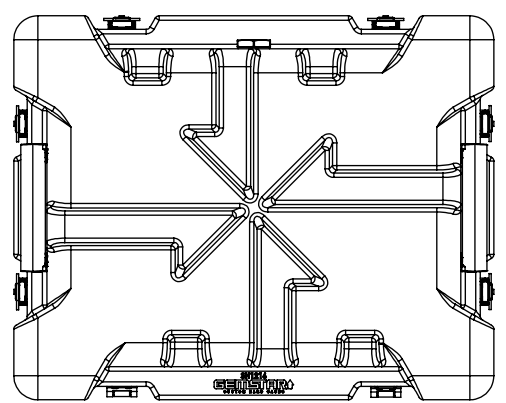
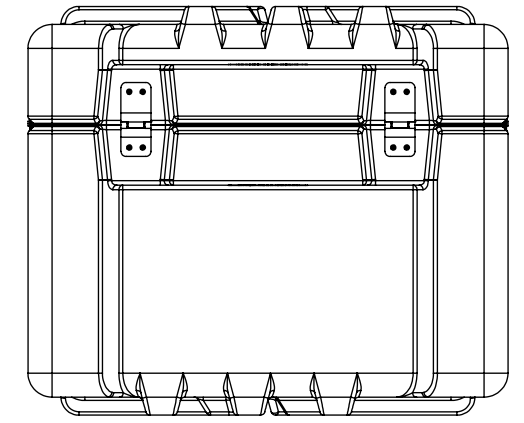
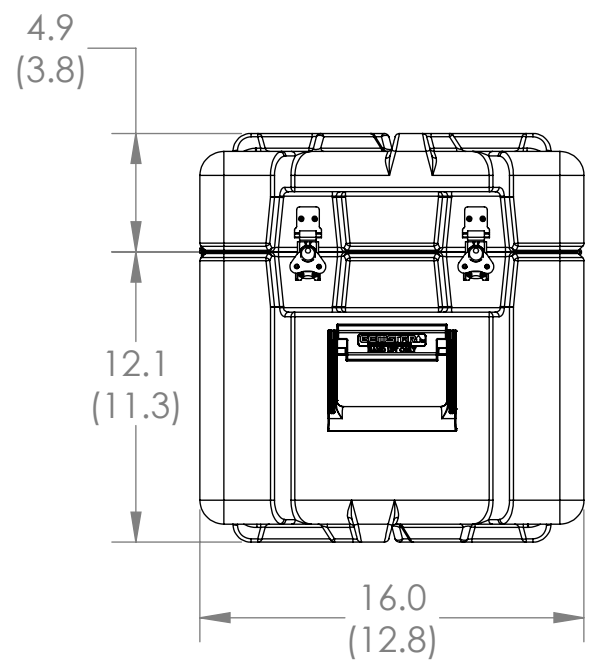
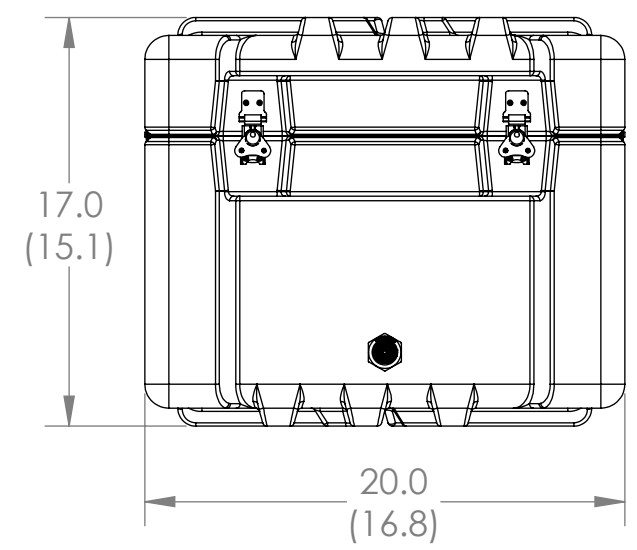
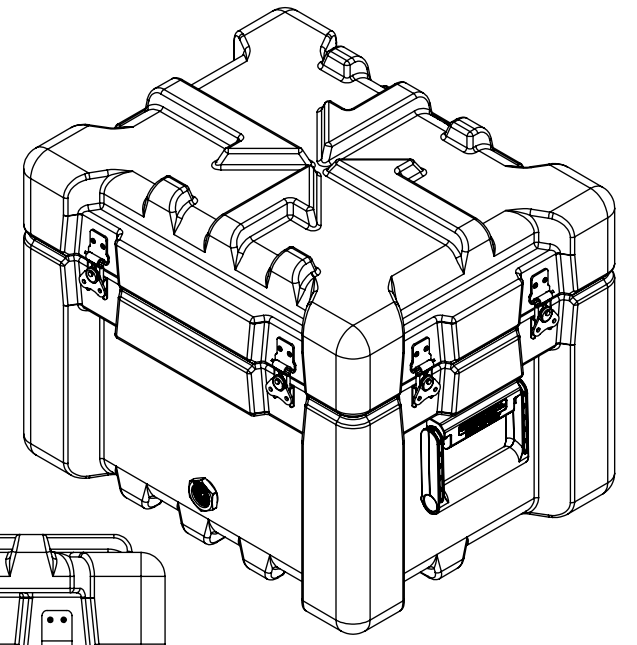
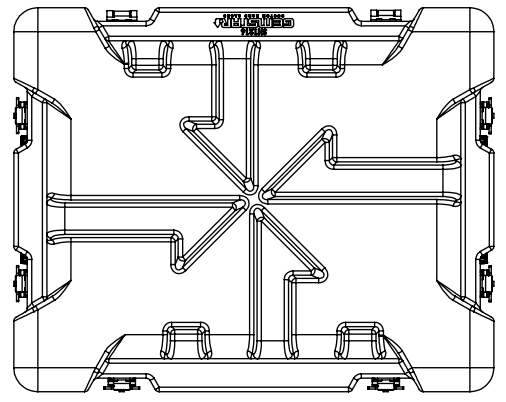


8 7 6 5 4 3 2 1



NOTE:  
DIMENSIONS X.X ARE EXTERIOR DIMENSIONS  
DIMENSIONS (X.X) ARE INTERIOR DIMENSIONS

**SPECIALTY CASES**  
[DESIGN ■ SUPPORT ■ PROTECT]  
P.O. Box 936  
Sykesville, MD 21784  
Phone: (800) 267-1674  
<https://www.specialtycases.com>

<b>SOURCE SUPPLIER</b> Gemstar Manufacturing 103 Mensing Way Cannon Falls, MN 55009	<b>CAGE CODE</b> 36NE1	<b>PROPRIETARY AND CONFIDENTIAL</b> COMPUTER CONTROLLED DOCUMENT MANUAL ALTERATIONS PROHIBITED. INFORMATION CONTAINED IN THIS DRAWING ARE THE SOLE PROPERTY OF GEMSTAR MANUFACTURING. ANY REPRODUCTION IN PART OR AS A WHOLE WITHOUT THE WRITTEN PERMISSION OF GEMSTAR MANUFACTURING IS PROHIBITED.	UNLESS OTHERWISE SPECIFIED: DIMENSIONS ARE IN INCHES TOLERANCES MOLDED FEATURES +/- .030 + .005 IN/IN 5 AXIS MACHINED FEATURES FEATURE SIZE +/- .005 FEATURE TO FEATURE +/- 0.010 FIXTURE TO FEATURE +/- 0.031 HAND ROUTED FEATURE +/- .031	NAME DATE	GEMSTAR MANUFACTURING TITLE: <h1>SH1612-1103</h1>
			INTERPRET GEOMETRIC TOLERANCING PER: MATERIAL	DRAWN CHECKED ENG APPR. MFG APPR. Q.A. COMMENTS:	
DO NOT SCALE DRAWING			SCALE: 1:8		SHEET 1 OF 1

8 7 6 5 4 3 2 1