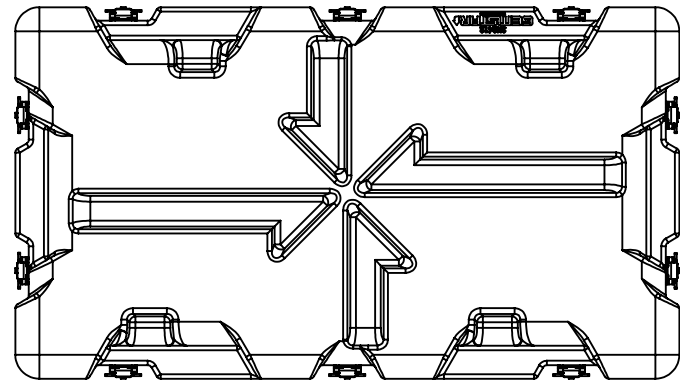
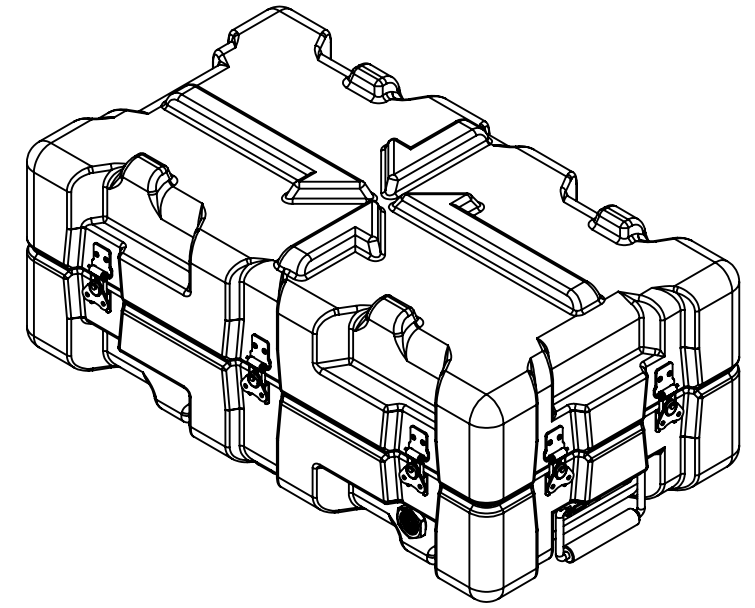


8 7 6 5 4 3 2 1

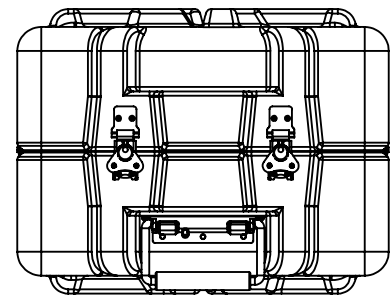
D



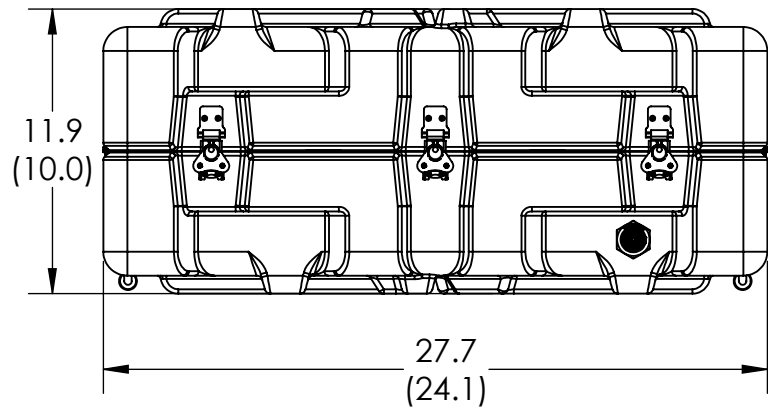
D



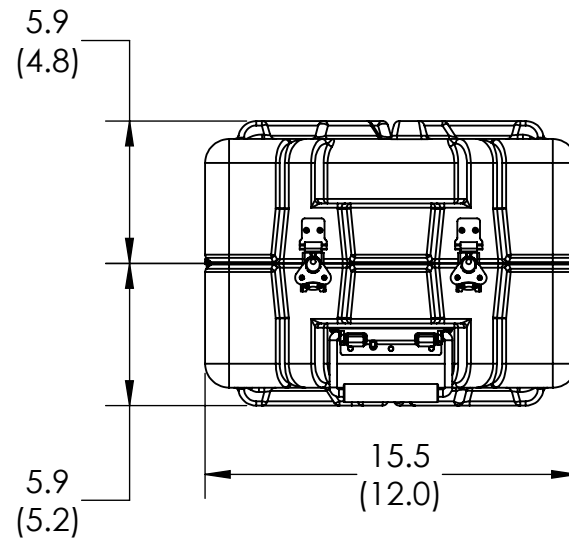
C



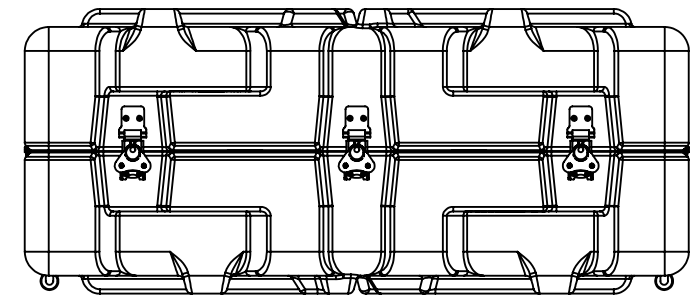
C



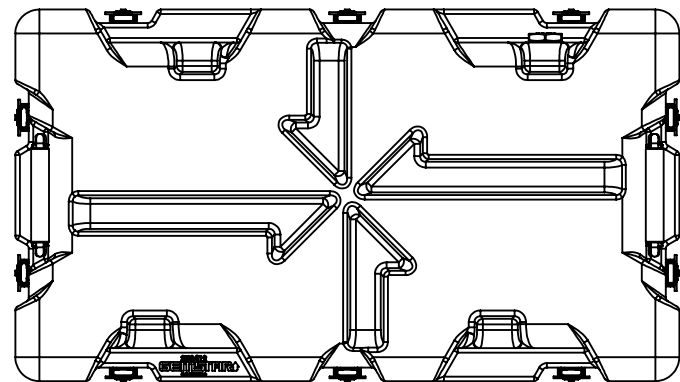
B



B



A



A

NOTE:  
DIMENSIONS X.X ARE EXTERIOR DIMENSIONS  
DIMENSIONS (X.X) ARE INTERIOR DIMENSIONS

**SPECIALTY CASES**  
[DESIGN ■ SUPPORT ■ PROTECT]

P.O. Box 936  
Sykesville, MD 21784  
Phone: (800) 267-1674

<https://www.specialtycases.com>

<b>SOURCE SUPPLIER</b> Gemstar Manufacturing 103 Mensing Way Cannon Falls, MN 55009  <b>CAGE CODE</b>  36NE1  <b>PROPRIETARY AND CONFIDENTIAL</b> COMPUTER CONTROLLED DOCUMENT MANUAL ALTERATIONS PROHIBITED. INFORMATION CONTAINED IN THIS DRAWING ARE THE SOLE PROPERTY OF GEMSTAR MANUFACTURING. ANY REPRODUCTION IN PART OR AS A WHOLE WITHOUT THE WRITTEN PERMISSION OF GEMSTAR MANUFACTURING IS PROHIBITED.	UNLESS OTHERWISE SPECIFIED:  DIMENSIONS ARE IN INCHES TOLERANCES MOLDED FEATURES +/- .030 + .005 IN/IN 5 AXIS MACHINED FEATURES FEATURE SIZE +/- .005 FEATURE TO FEATURE +/- 0.010 FIXTURE TO FEATURE +/- 0.031 HAND ROUTED FEATURE +/- .031  INTERPRET GEOMETRIC TOLERANCING PER:  MATERIAL  FINISH  DO NOT SCALE DRAWING	NAME	DATE	<b>GEMSTAR MANUFACTURING</b>  TITLE:  <h1>SH2412-0504</h1>  SIZE DWG. NO. REV <b>B</b>
		DRAWN  CHECKED  ENG APPR.  MFG APPR.  Q.A.  COMMENTS:		
		SCALE: 1:8	SHEET 1 OF 1	

8 7 6 5 4 3 2 1