

8 7 6 5 4 3 2 1

D

C

B

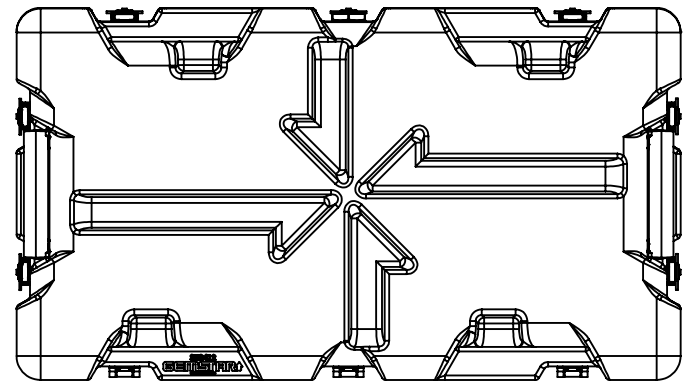
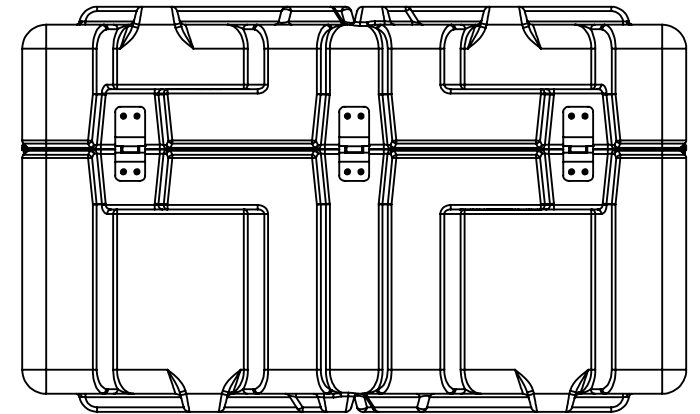
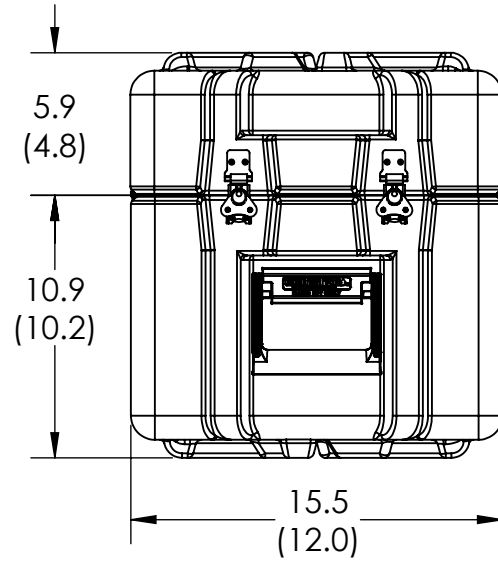
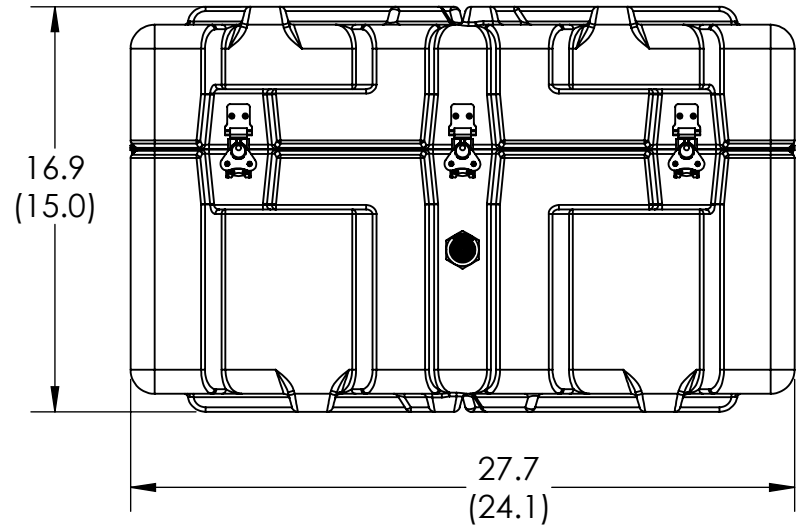
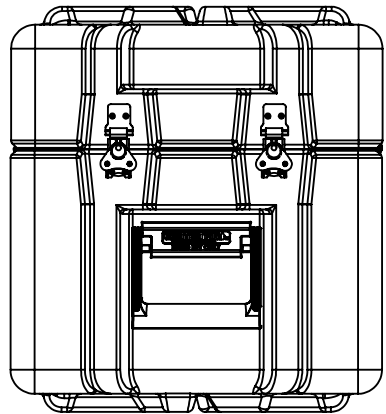
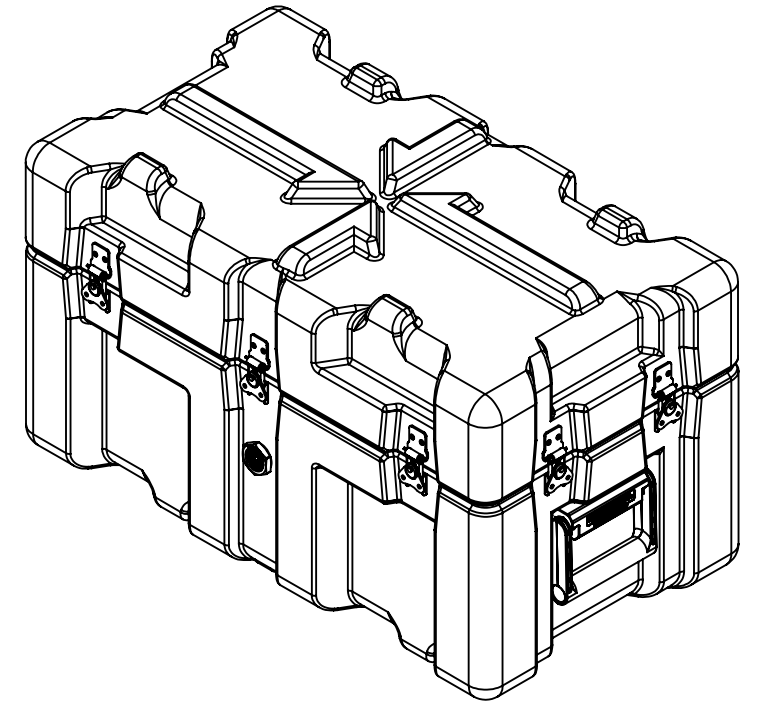
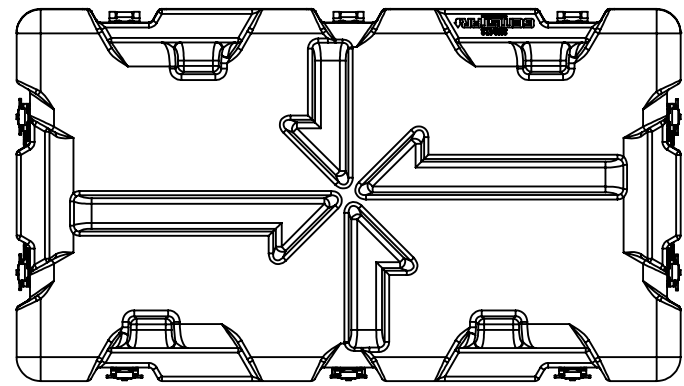
A

D

C

B

A



**SPECIALTY CASES**  
 [DESIGN ■ SUPPORT ■ PROTECT]  
 P.O. Box 936  
 Sykesville, MD 21784  
 Phone: (800) 267-1674  
<https://www.specialtycases.com>

NOTE:  
 DIMENSIONS X.X ARE EXTERIOR DIMENSIONS  
 DIMENSIONS (X.X) ARE INTERIOR DIMENSIONS

<b>SOURCE SUPPLIER</b> Gemstar Manufacturing 103 Mensing Way Cannon Falls, MN 55009	<b>CAGE CODE</b> 36NE1	<b>PROPRIETARY AND CONFIDENTIAL</b> COMPUTER CONTROLLED DOCUMENT MANUAL ALTERATIONS PROHIBITED. INFORMATION CONTAINED IN THIS DRAWING ARE THE SOLE PROPERTY OF GEMSTAR MANUFACTURING. ANY REPRODUCTION IN PART OR AS A WHOLE WITHOUT THE WRITTEN PERMISSION OF GEMSTAR MANUFACTURING IS PROHIBITED.	UNLESS OTHERWISE SPECIFIED: DIMENSIONS ARE IN INCHES TOLERANCES MOLDED FEATURES +/- .030 + .005 IN/IN 5 AXIS MACHINED FEATURES FEATURE SIZE +/- .005 FEATURE TO FEATURE +/- 0.010 FIXTURE TO FEATURE +/- 0.031 HAND ROUTED FEATURE +/- .031		NAME	DATE	<b>GEMSTAR MANUFACTURING</b>  TITLE: <h1>SH2412-1004</h1>
			DRAWN CHECKED ENG APPR. MFG APPR.			SIZE <b>B</b> DWG. NO. REV SCALE: 1:10 SHEET 1 OF 1	
INTERPRET GEOMETRIC TOLERANCING PER: MATERIAL  FINISH  DO NOT SCALE DRAWING			Q.A. COMMENTS:				