

8 7 6 5 4 3 2 1

D

C

B

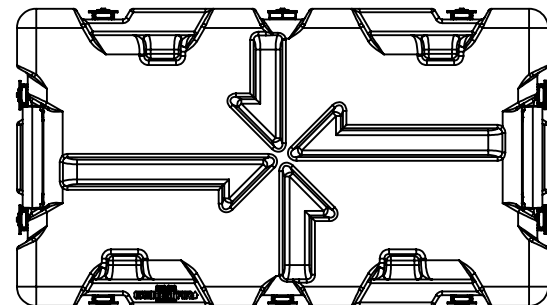
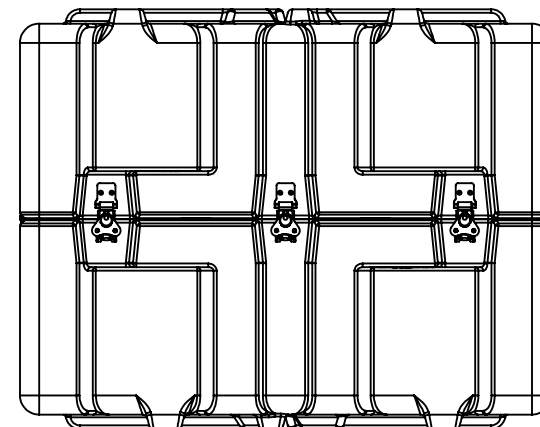
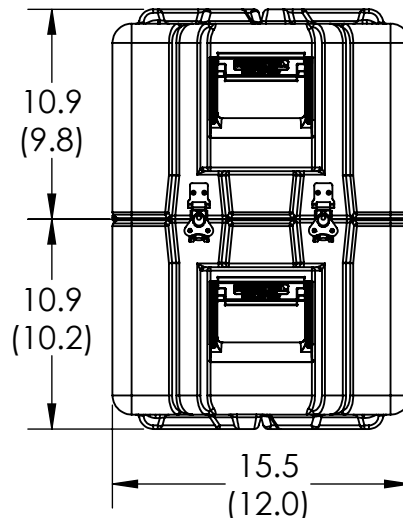
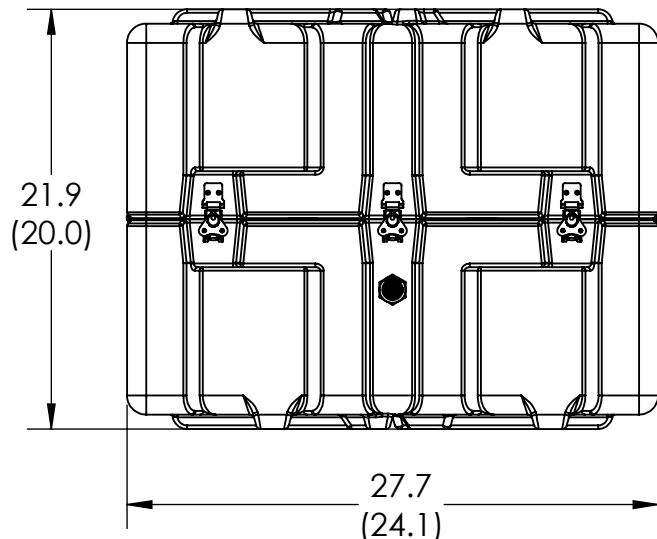
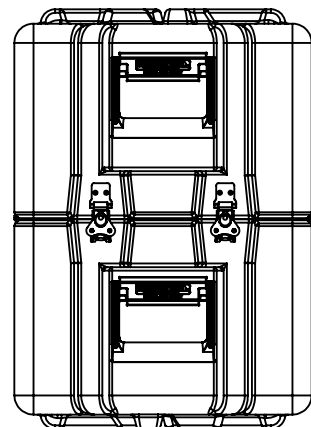
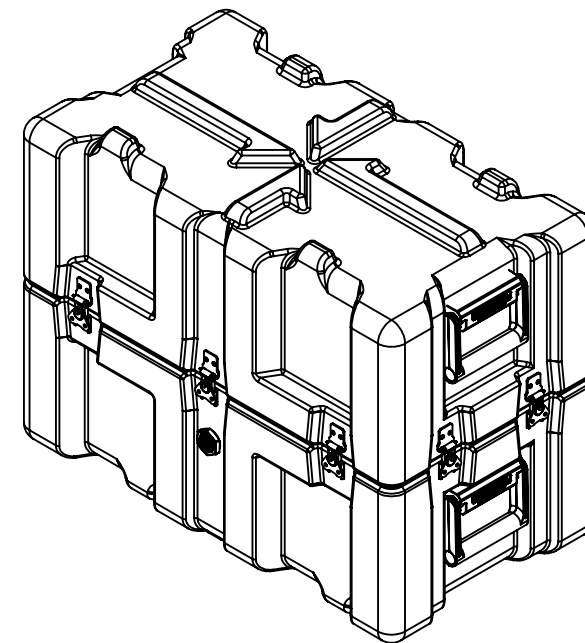
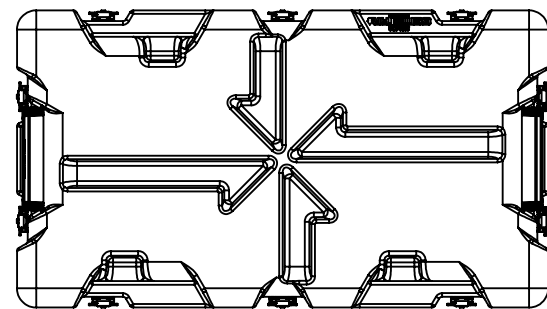
A

D

C

B

A



SPECIALTY CASES

[DESIGN ■ SUPPORT ■ PROTECT]

P.O. Box 936
Sykesville, MD 21784
Phone: (800) 267-1674

<https://www.specialtycases.com>

NOTE:
DIMENSIONS X.X ARE EXTERIOR DIMENSIONS
DIMENSIONS (X.X) ARE INTERIOR DIMENSIONS

| | | | | | | | |
|--|---|--|--|-----------|--|----------|-----|
| SOURCE SUPPLIER Gemstar Manufacturing 103 Mensing Way Cannon Falls, MN 55009 | CAGE CODE 36NE1 | UNLESS OTHERWISE SPECIFIED: DIMENSIONS ARE IN INCHES TOLERANCES MOLDED FEATURES +/- .030 + .005 IN/IN 5 AXIS MACHINED FEATURES FEATURE SIZE +/- .005 FEATURE TO FEATURE +/- 0.010 FIXTURE TO FEATURE +/- 0.031 HAND ROUTED FEATURE +/- .031 | NAME | DATE | GEMSTAR MANUFACTURING TITLE: <h1>SH2412-1009</h1> | | |
| | | | DRAWN CHECKED ENG APPR. MFG APPR. | | | | |
| PROPRIETARY AND CONFIDENTIAL COMPUTER CONTROLLED DOCUMENT MANUAL ALTERATIONS PROHIBITED. INFORMATION CONTAINED IN THIS DRAWING ARE THE SOLE PROPERTY OF GEMSTAR MANUFACTURING. ANY REPRODUCTION IN PART OR AS A WHOLE WITHOUT THE WRITTEN PERMISSION OF GEMSTAR MANUFACTURING IS PROHIBITED. | INTERPRET GEOMETRIC TOLERANCING PER: MATERIAL FINISH | DO NOT SCALE DRAWING | Q.A. | COMMENTS: | SIZE B | DWG. NO. | REV |
| | | | SCALE: 1:10 | | SHEET 1 OF 1 | | |

8 7 6 5 4 3 2 1