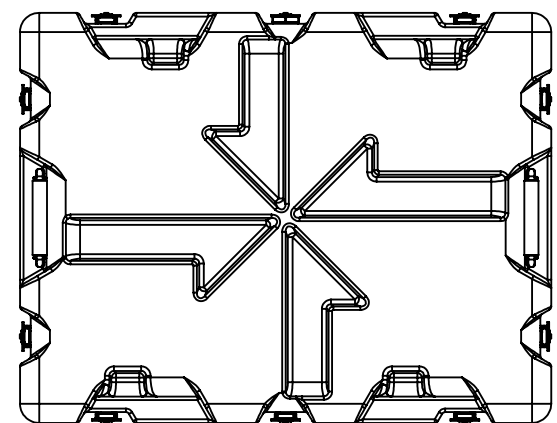
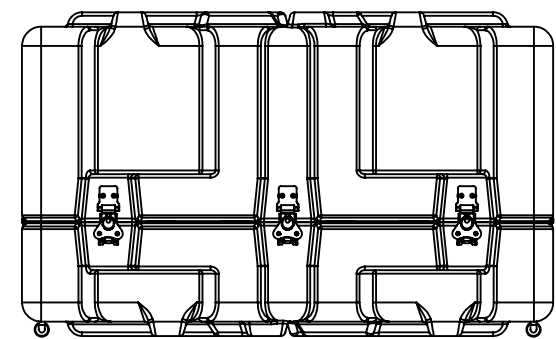
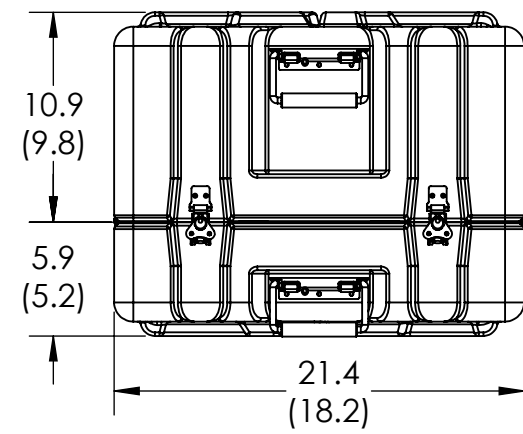
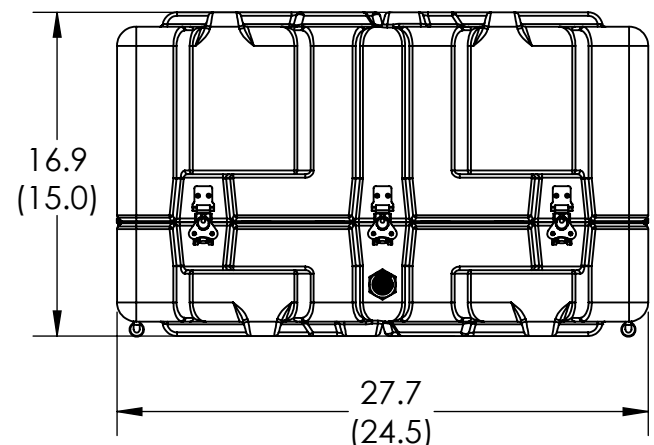
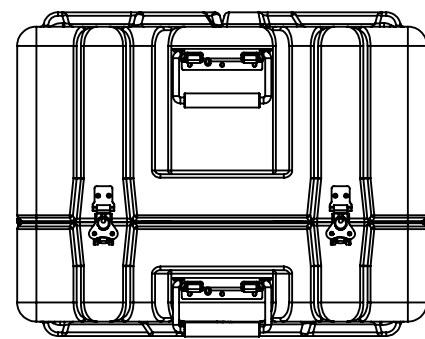
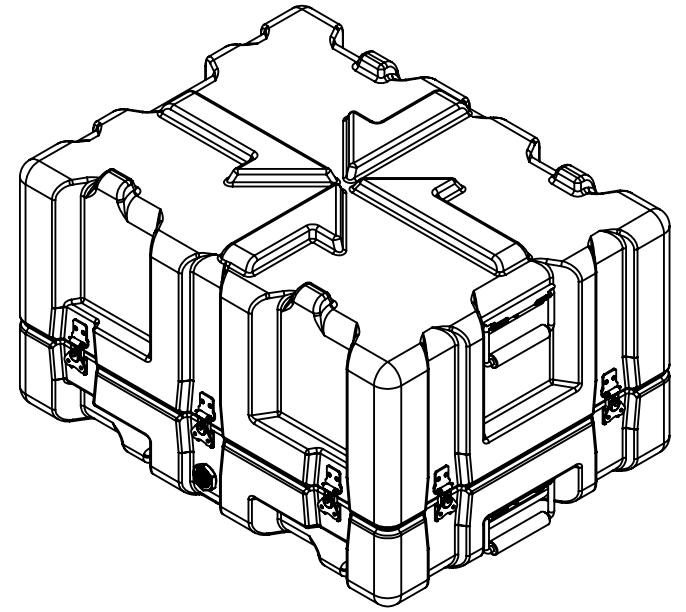
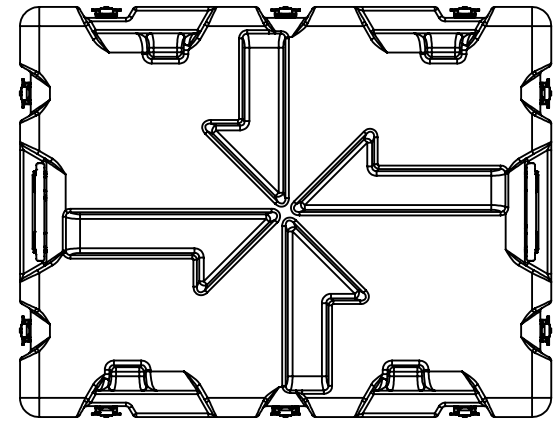


8 7 6 5 4 3 2 1



**SPECIALTY CASES**  
 [DESIGN ■ SUPPORT ■ PROTECT]  
 P.O. Box 936  
 Sykesville, MD 21784  
 Phone: (800) 267-1674  
<https://www.specialtycases.com>

NOTE:  
 DIMENSIONS X.X ARE EXTERIOR DIMENSIONS  
 DIMENSIONS (X.X) ARE INTERIOR DIMENSIONS

<b>SOURCE SUPPLIER</b> Gemstar Manufacturing 103 Mensing Way Cannon Falls, MN 55009	<b>CAGE CODE</b> 36NE1	<b>PROPRIETARY AND CONFIDENTIAL</b> COMPUTER CONTROLLED DOCUMENT MANUAL ALTERATIONS PROHIBITED. INFORMATION CONTAINED IN THIS DRAWING ARE THE SOLE PROPERTY OF GEMSTAR MANUFACTURING. ANY REPRODUCTION IN PART OR AS A WHOLE WITHOUT THE WRITTEN PERMISSION OF GEMSTAR MANUFACTURING IS PROHIBITED.	UNLESS OTHERWISE SPECIFIED: DIMENSIONS ARE IN INCHES TOLERANCES MOLDED FEATURES $\pm 0.030 + .005$ IN/IN 5 AXIS MACHINED FEATURES FEATURE SIZE $\pm 0.005$ FEATURE TO FEATURE $\pm 0.010$ FIXTURE TO FEATURE $\pm 0.031$ HAND ROUTED FEATURE $\pm 0.031$	NAME DATE	GEMSTAR MANUFACTURING TITLE: <h1>SH2418-0509</h1>
			INTERPRET GEOMETRIC TOLERANCING PER: MATERIAL FINISH DO NOT SCALE DRAWING	COMMENTS:	
			SCALE: 1:10		SHEET 1 OF 1

8 7 6 5 4 3 2 1