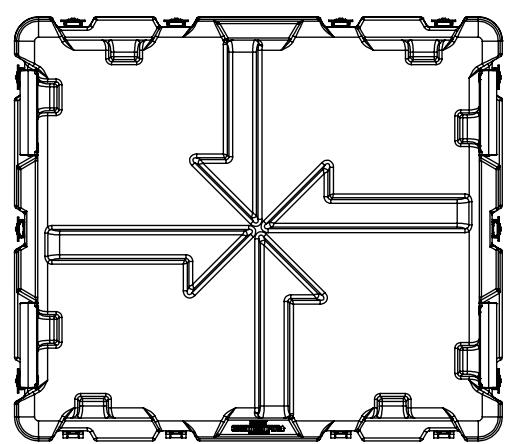
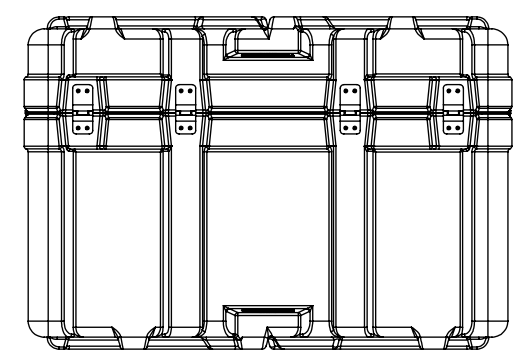
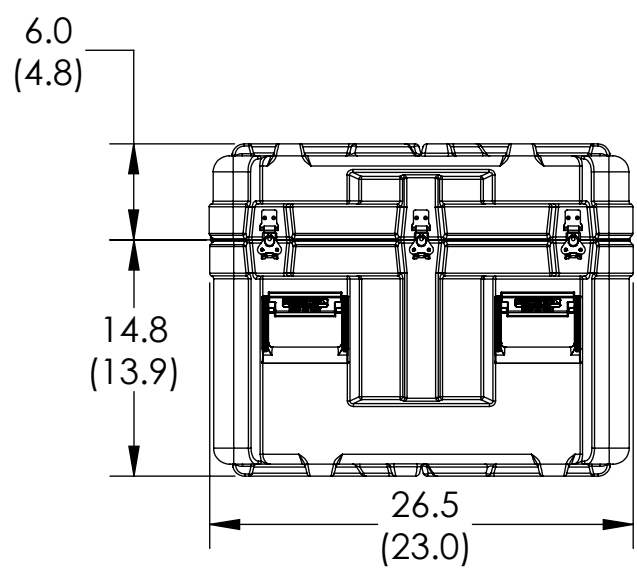
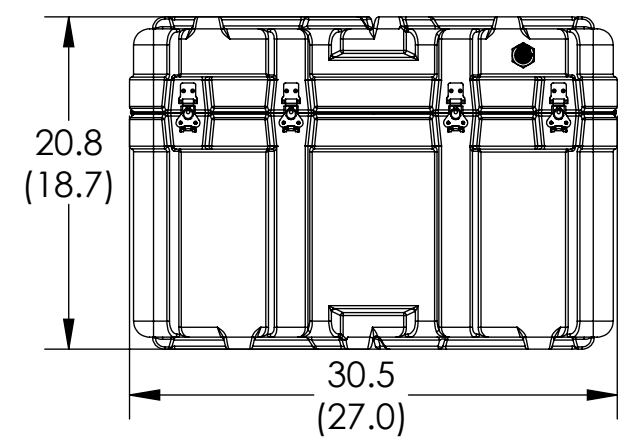
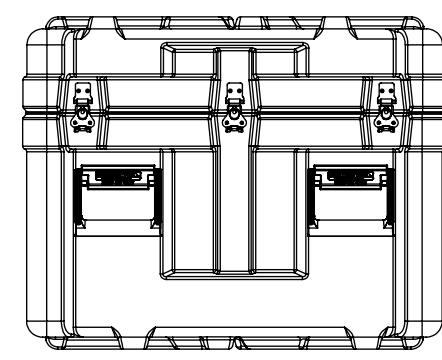
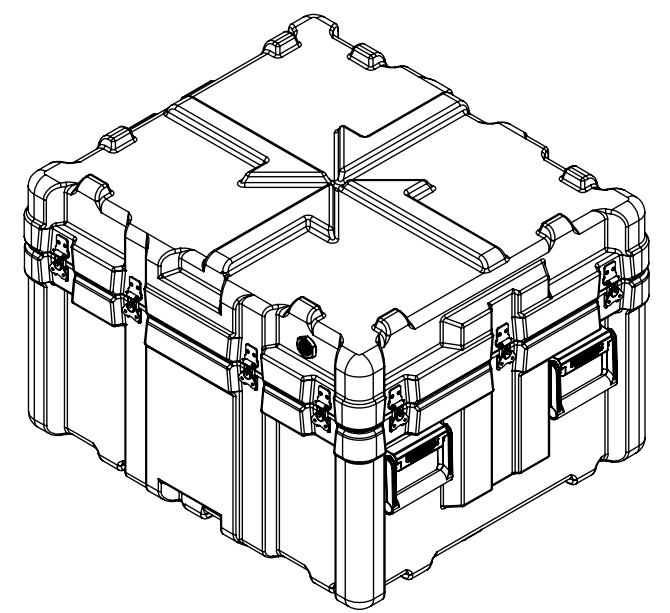
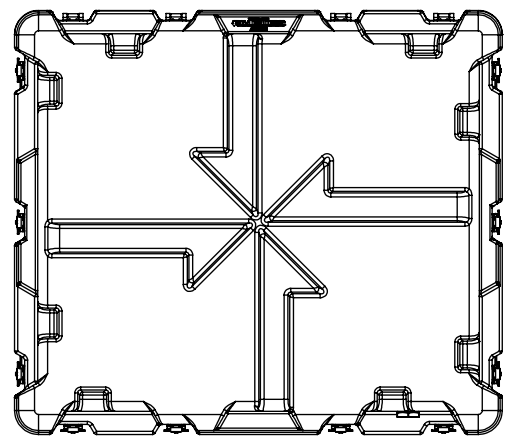


8 7 6 5 4 3 2 1

D
C
B
A

D
C
B
A



SPECIALTY CASES
 [DESIGN ■ SUPPORT ■ PROTECT]
 P.O. Box 936
 Sykesville, MD 21784
 Phone: (800) 267-1674
<https://www.specialtycases.com>

NOTE:
 DIMENSIONS X.X ARE EXTERIOR DIMENSIONS
 DIMENSIONS (X.X) ARE INTERIOR DIMENSIONS

SOURCE SUPPLIER Gemstar Manufacturing 103 Mensing Way Cannon Falls, MN 55009		UNLESS OTHERWISE SPECIFIED: DIMENSIONS ARE IN INCHES TOLERANCES MOLDED FEATURES +/- .030 + .005 IN/IN 5 AXIS MACHINED FEATURES FEATURE SIZE +/- .005 FEATURE TO FEATURE +/- 0.010 FIXTURE TO FEATURE +/- 0.031 HAND ROUTED FEATURE +/- .031	NAME	DATE	GEMSTAR MANUFACTURING
CAGE CODE 36NE1			DRAWN		
PROPRIETARY AND CONFIDENTIAL THE INFORMATION CONTAINED IN THIS DRAWING IS THE SOLE PROPERTY OF GEMSTAR MANUFACTURING. ANY REPRODUCTION IN PART OR AS A WHOLE WITHOUT THE WRITTEN PERMISSION OF GEMSTAR MANUFACTURING IS PROHIBITED.		INTERPRET GEOMETRIC TOLERANCING PER:	ENG APPR.		SIZE B
		MATERIAL	MFG APPR.		DWG. NO.
		FINISH	Q.A.		REV
		DO NOT SCALE DRAWING	COMMENTS:		SCALE: 1:12
					SHEET 1 OF 1

8 7 6 5 4 3 2 1