

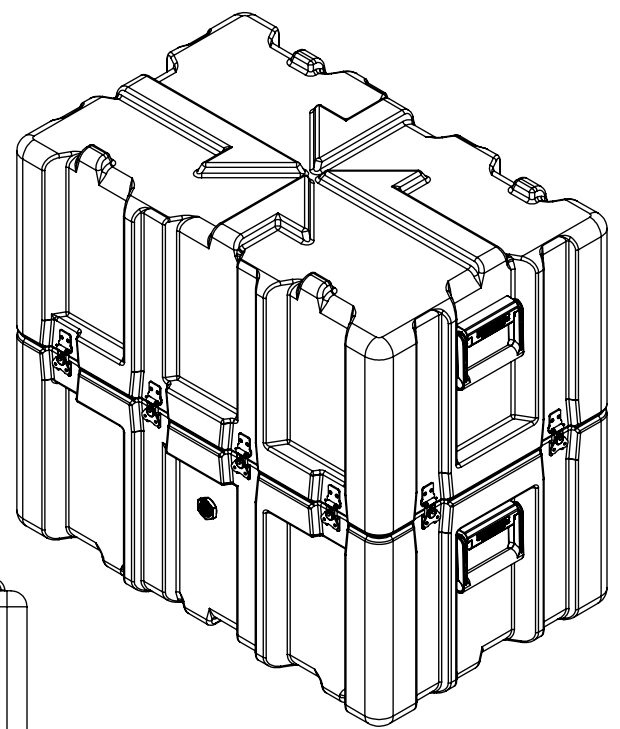
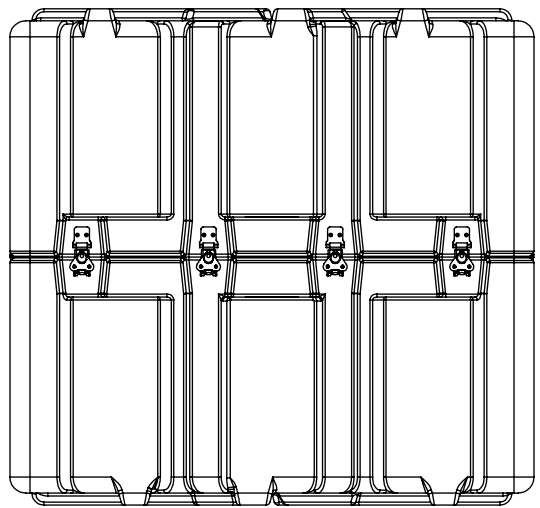
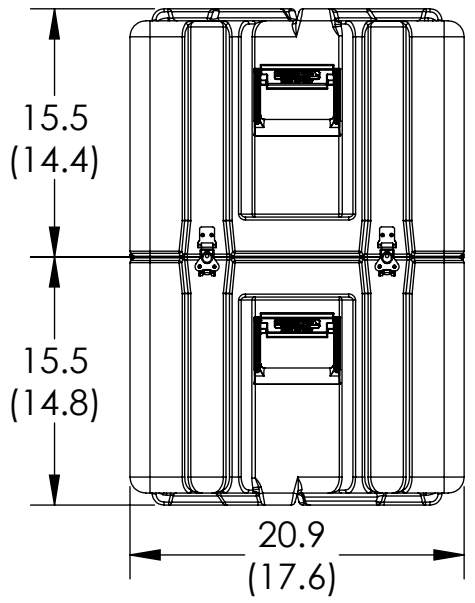
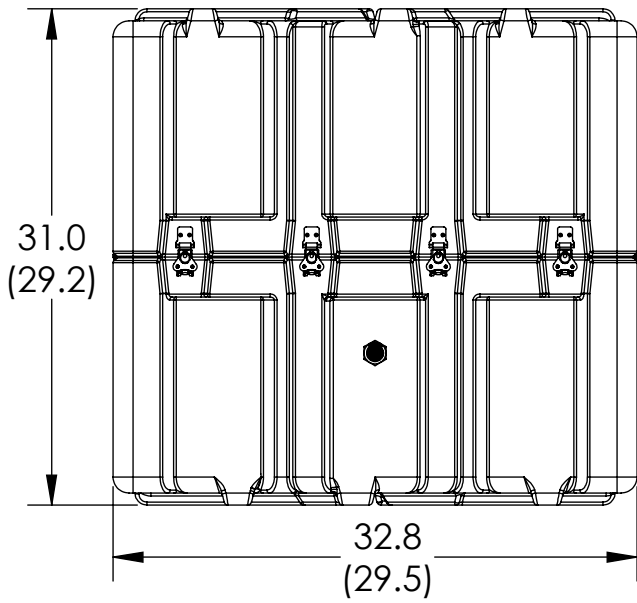
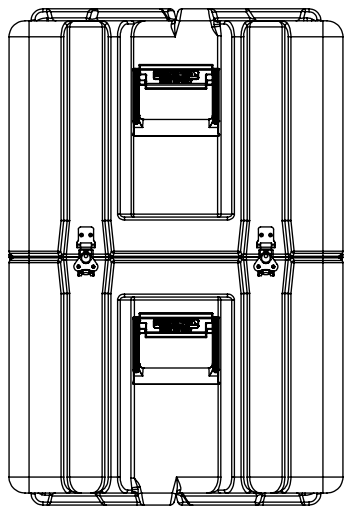
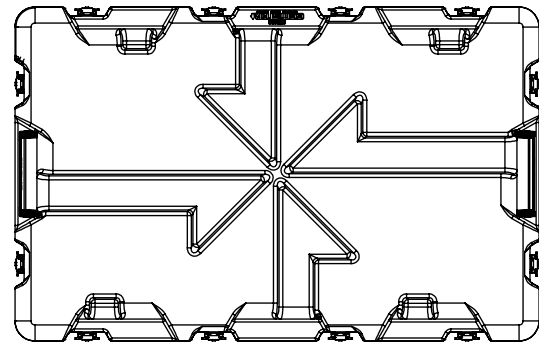
8 7 6 5 4 3 2 1

D

C

B

A



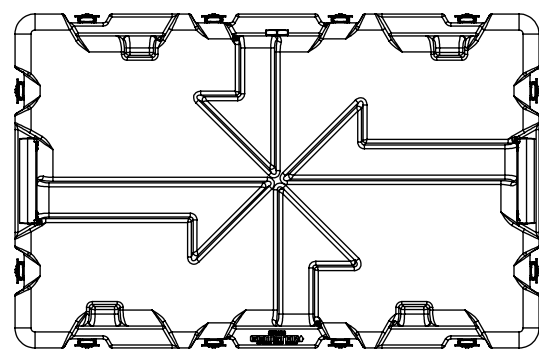
D

C

B

A

**SPECIALTY CASES**  
 [DESIGN ■ SUPPORT ■ PROTECT]  
 P.O. Box 936  
 Sykesville, MD 21784  
 Phone: (800) 267-1674  
<https://www.specialtycases.com>



NOTE:  
 DIMENSIONS X.X ARE EXTERIOR DIMENSIONS  
 DIMENSIONS (X.X) ARE INTERIOR DIMENSIONS

<b>SOURCE SUPPLIER</b> Gemstar Manufacturing 103 Mensing Way Cannon Falls, MN 55009		<b>UNLESS OTHERWISE SPECIFIED:</b>		NAME		DATE	
<b>CAGE CODE</b> <b>36NE1</b>		DIMENSIONS ARE IN INCHES TOLERANCES MOLDED FEATURES +/- .030 + .005 IN/IN 5 AXIS MACHINED FEATURES FEATURE SIZE +/- .005 FEATURE TO FEATURE +/- 0.010 FIXTURE TO FEATURE +/- 0.031 HAND ROUTED FEATURE +/- .031		DRAWN			
<b>PROPRIETARY AND CONFIDENTIAL</b> THE INFORMATION CONTAINED IN THIS DRAWING IS THE SOLE PROPERTY OF GEMSTAR MANUFACTURING. ANY REPRODUCTION IN PART OR AS A WHOLE WITHOUT THE WRITTEN PERMISSION OF GEMSTAR MANUFACTURING IS PROHIBITED.		INTERPRET GEOMETRIC TOLERANCING PER:		CHECKED		TITLE: <b>SH3018-1414</b>	
DO NOT SCALE DRAWING		MATERIAL		ENG APPR.		SIZE DWG. NO. REV	
		FINISH		MFG APPR.		SCALE: 1:12 SHEET 1 OF 1	
				Q.A.			
				COMMENTS:			