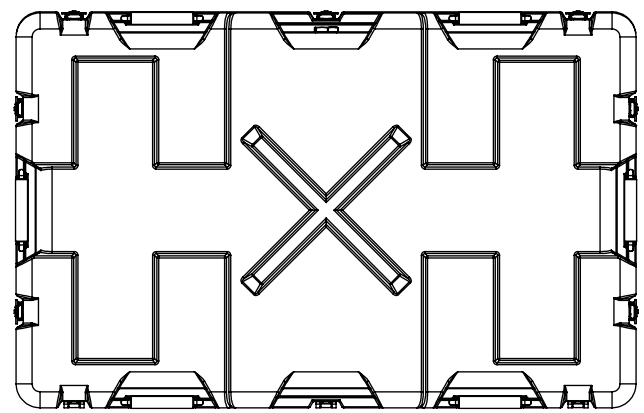
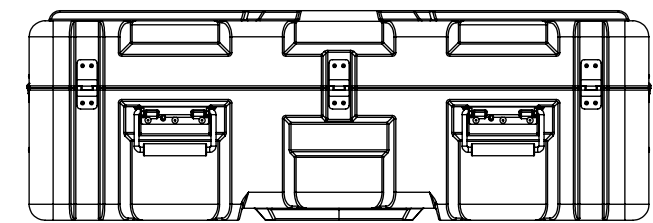
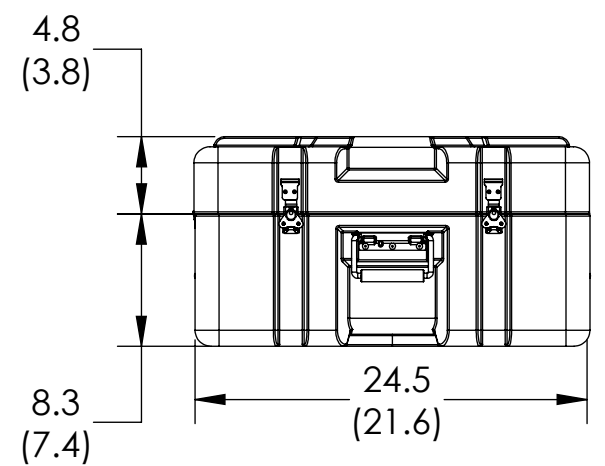
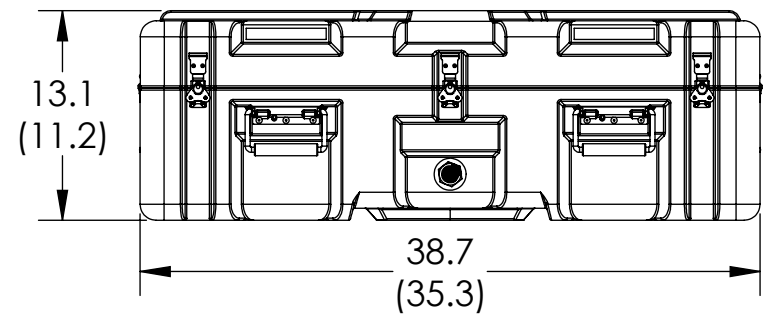
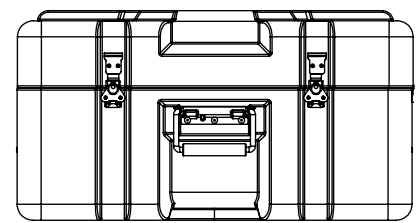
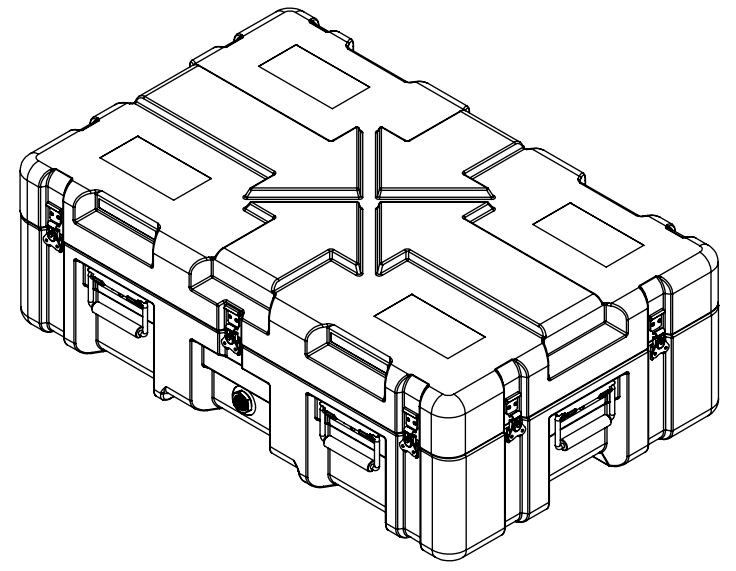
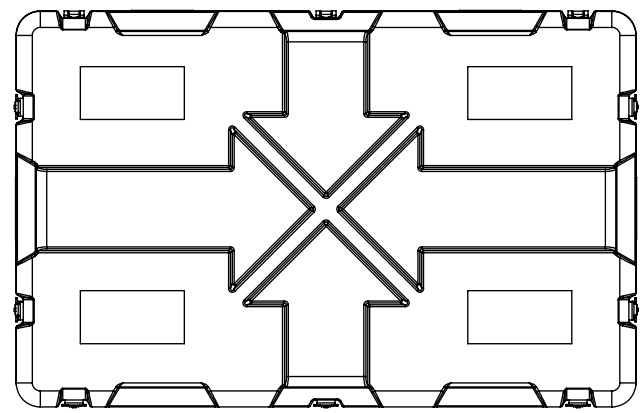


8 7 6 5 4 3 2 1

D
C
B
A

D
C
B
A



NOTE:
DIMENSIONS X.X ARE EXTERIOR DIMENSIONS
DIMENSIONS (X.X) ARE INTERIOR DIMENSIONS

SPECIALTY CASES
[DESIGN ■ SUPPORT ■ PROTECT]
P.O. Box 936
Sykesville, MD 21784
Phone: (800) 267-1674
<https://www.specialtycases.com>

SOURCE SUPPLIER Gemstar Manufacturing 103 Mensing Way Cannon Falls, MN 55009 CAGE CODE 36NE1 PROPRIETARY AND CONFIDENTIAL THE INFORMATION CONTAINED IN THIS DRAWING IS THE SOLE PROPERTY OF GEMSTAR MANUFACTURING. ANY REPRODUCTION IN PART OR AS A WHOLE WITHOUT THE WRITTEN PERMISSION OF GEMSTAR MANUFACTURING IS PROHIBITED.	UNLESS OTHERWISE SPECIFIED: DIMENSIONS ARE IN INCHES TOLERANCES MOLDED FEATURES +/-0.030 +.005 IN/IN 5 AXIS MACHINED FEATURES FEATURE SIZE +/-0.005 FEATURE TO FEATURE +/-0.010 FIXTURE TO FEATURE +/-0.031 HAND ROUTED FEATURE +/-0.031 INTERPRET GEOMETRIC TOLERANCING PER: MATERIAL FINISH DO NOT SCALE DRAWING	NAME	DATE	GEMSTAR MANUFACTURING TITLE: <h1>SH3521-0703</h1>
		DRAWN CHECKED ENG APPR. MFG APPR. Q.A. COMMENTS:		
		SIZE	DWG. NO.	REV
		B		
		SCALE: 1:12	SHEET 1 OF 1	

8 7 6 5 4 3 2 1