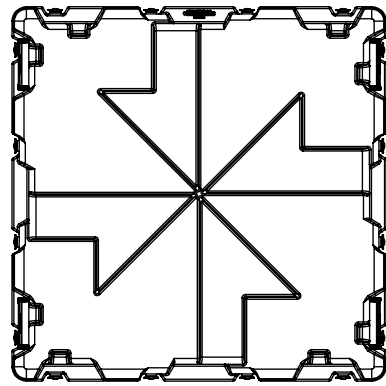


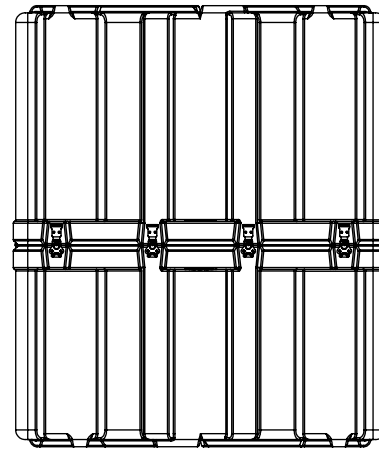
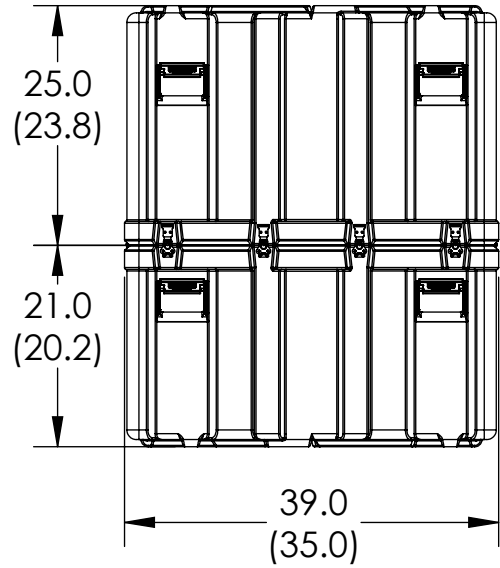
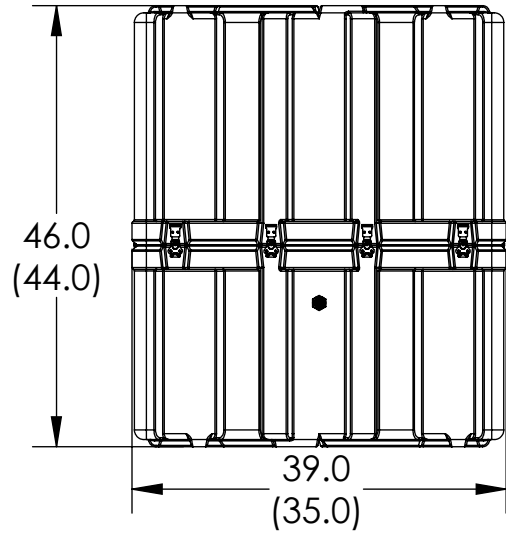
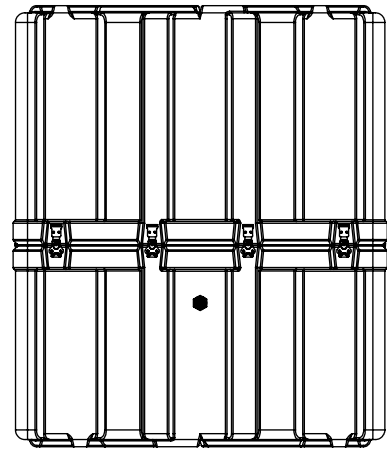
8 7 6 5 4 3 2 1

D



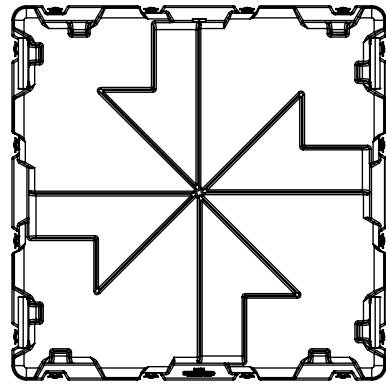
D

C

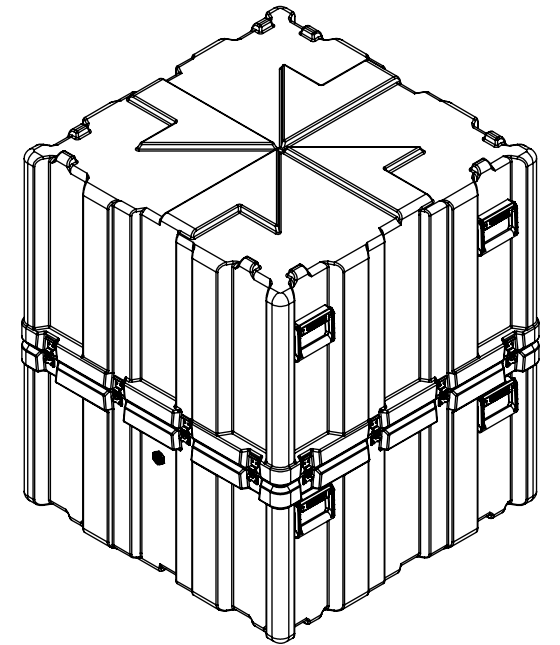


C

B



B



A

**SPECIALTY CASES**  
[DESIGN ■ SUPPORT ■ PROTECT]

P.O. Box 936  
Sykesville, MD 21784  
Phone: (800) 267-1674

<https://www.specialtycases.com>

NOTE:  
DIMENSIONS X.X ARE EXTERIOR DIMENSIONS  
DIMENSIONS (X.X) ARE INTERIOR DIMENSIONS

<b>SOURCE SUPPLIER</b> Gemstar Manufacturing 103 Mensing Way Cannon Falls, MN 55009	<b>CAGE CODE</b> <b>36NE1</b>	<b>PROPRIETARY AND CONFIDENTIAL</b> THE INFORMATION CONTAINED IN THIS DRAWING IS THE SOLE PROPERTY OF GEMSTAR MANUFACTURING. ANY REPRODUCTION IN PART OR AS A WHOLE WITHOUT THE WRITTEN PERMISSION OF GEMSTAR MANUFACTURING IS PROHIBITED.	UNLESS OTHERWISE SPECIFIED:		NAME		DATE		GEMSTAR MANUFACTURING	
			DIMENSIONS ARE IN INCHES TOLERANCES MOLDED FEATURES +/- .030 + .005 IN/IN 5 AXIS MACHINED FEATURES FEATURE SIZE +/- .005 FEATURE TO FEATURE +/- 0.010 FIXTURE TO FEATURE +/- 0.031 HAND ROUTED FEATURE +/- .031		DRAWN				TITLE:	
			INTERPRET GEOMETRIC TOLERANCING PER:		CHECKED				SH3535-2023	
			MATERIAL		ENG APPR.				SIZE DWG. NO. REV	
			FINISH		MFG APPR.				B	
			DO NOT SCALE DRAWING		Q.A.				SCALE: 1:20 SHEET 1 OF 1	
					COMMENTS:					

8 7 6 5 4 3 2 1