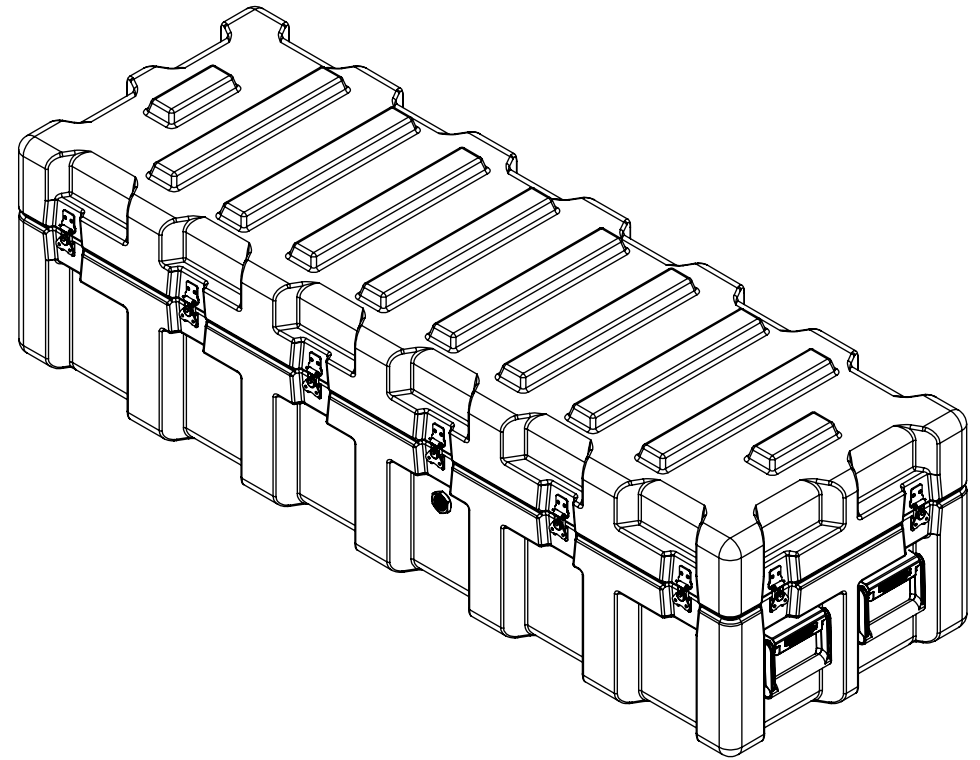
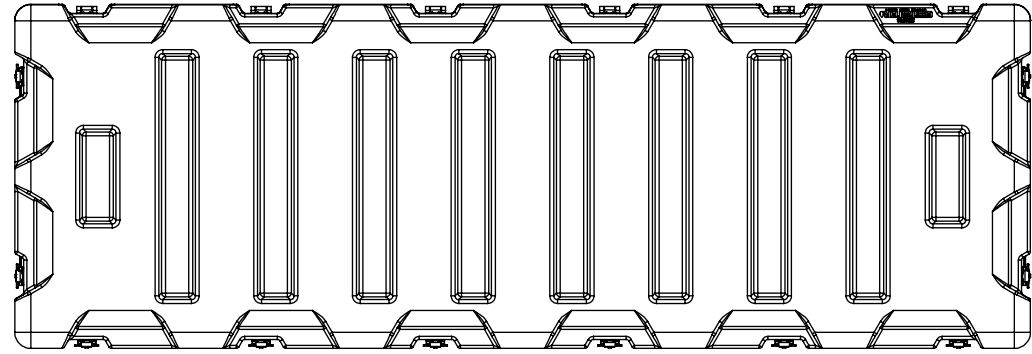


8 7 6 5 4 3 2 1

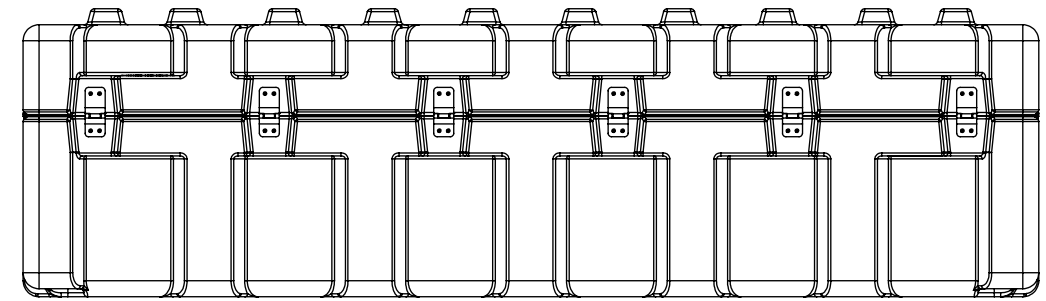
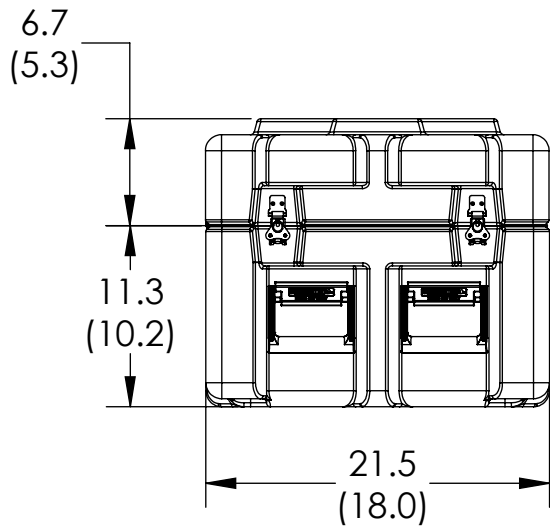
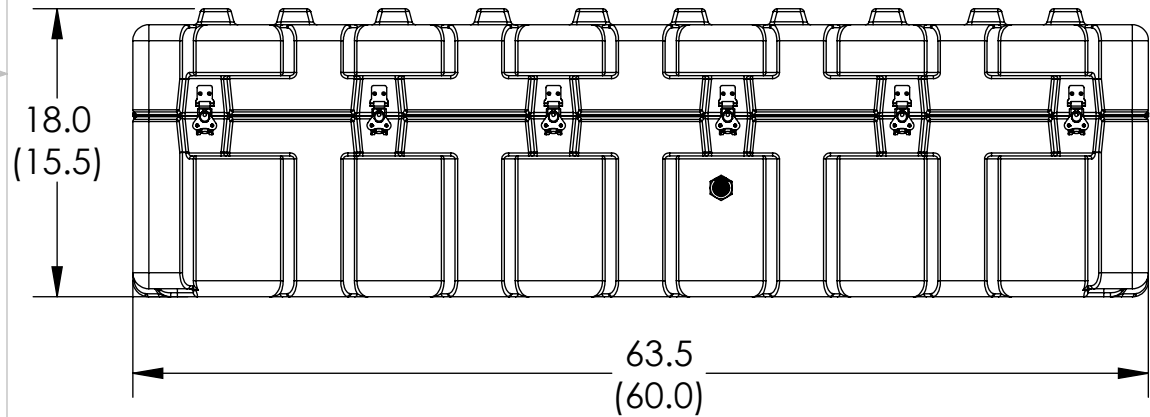
D

D



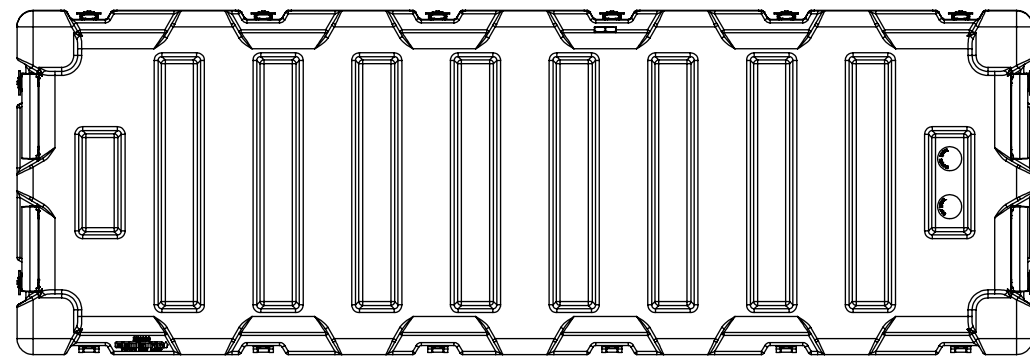
C

C



B

B



A

A

**SPECIALTY CASES**  
[DESIGN ■ SUPPORT ■ PROTECT]

P.O. Box 936  
Sykesville, MD 21784  
Phone: (800) 267-1674

<https://www.specialtycases.com>

NOTE:  
DIMENSIONS X.X ARE EXTERIOR DIMENSIONS  
DIMENSIONS (X.X) ARE INTERIOR DIMENSIONS

<b>SOURCE SUPPLIER</b> Gemstar Manufacturing 103 Mensing Way Cannon Falls, MN 55009		<b>UNLESS OTHERWISE SPECIFIED:</b> DIMENSIONS ARE IN INCHES TOLERANCES MOLDED FEATURES +/- .030 + .005 IN/IN 5 AXIS MACHINED FEATURES FEATURE SIZE +/- .005 FEATURE TO FEATURE +/- 0.010 FIXTURE TO FEATURE +/- 0.031 HAND ROUTED FEATURE +/- .031		NAME	DATE	<b>GEMSTAR MANUFACTURING</b>	
<b>CAGE CODE</b> 36NE1		INTERPRET GEOMETRIC TOLERANCING PER: MATERIAL		DRAWN		TITLE: <b>SH6018-1005</b>	
<b>PROPRIETARY AND CONFIDENTIAL</b> COMPUTER CONTROLLED DOCUMENT MANUAL ALTERATIONS PROHIBITED. INFORMATION CONTAINED IN THIS DRAWING ARE THE SOLE PROPERTY OF GEMSTAR MANUFACTURING. ANY REPRODUCTION IN PART OR AS A WHOLE WITHOUT THE WRITTEN PERMISSION OF GEMSTAR MANUFACTURING IS PROHIBITED.		FINISH		CHECKED		SIZE DWG. NO. REV	
DO NOT SCALE DRAWING				ENG APPR.		SCALE: 1:12 SHEET 1 OF 1	
				MFG APPR.			
				Q.A.			
				COMMENTS:			

8 7 6 5 4 3 2 1