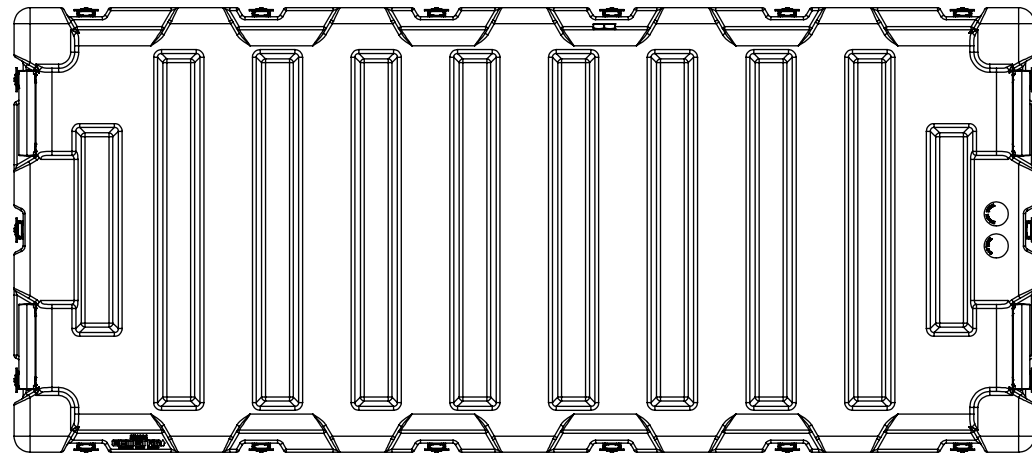
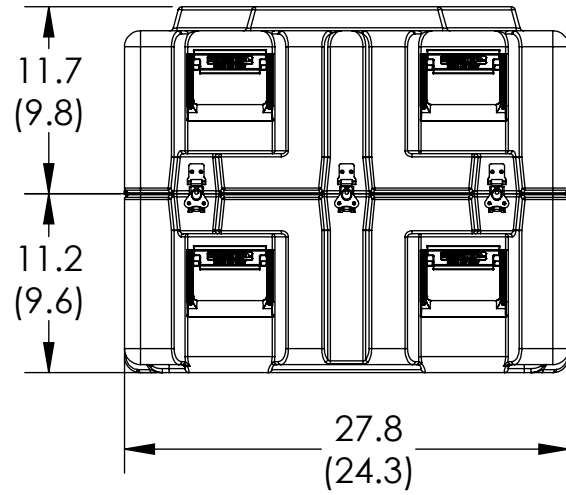
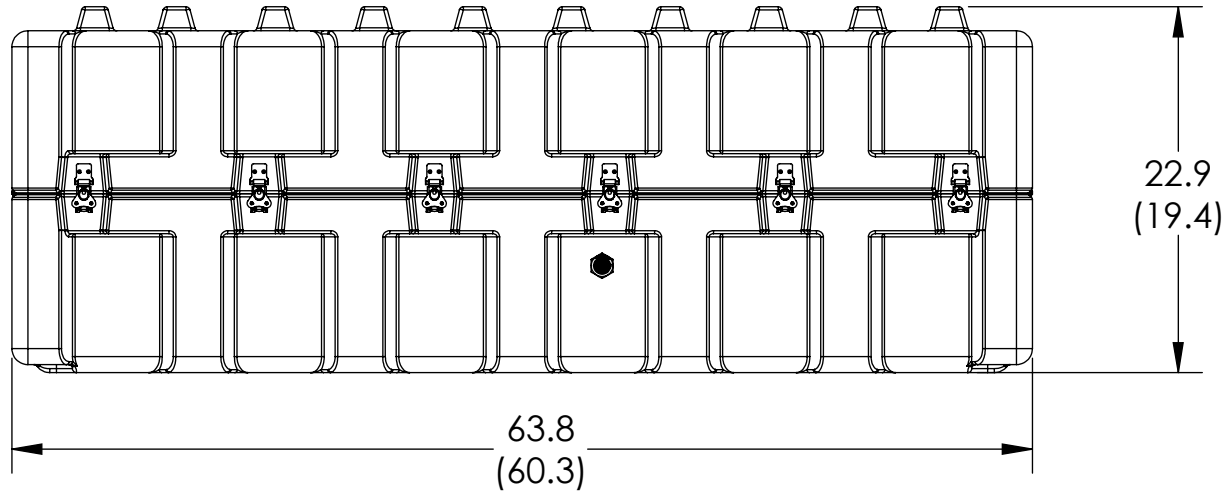
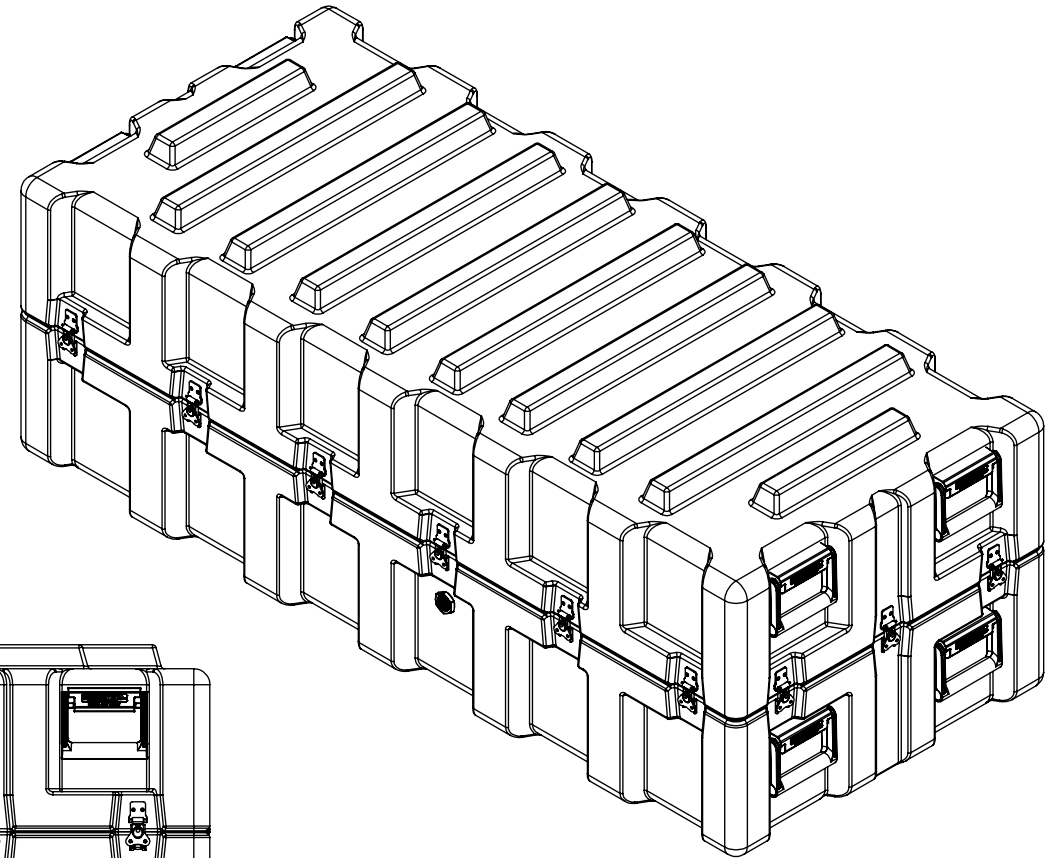
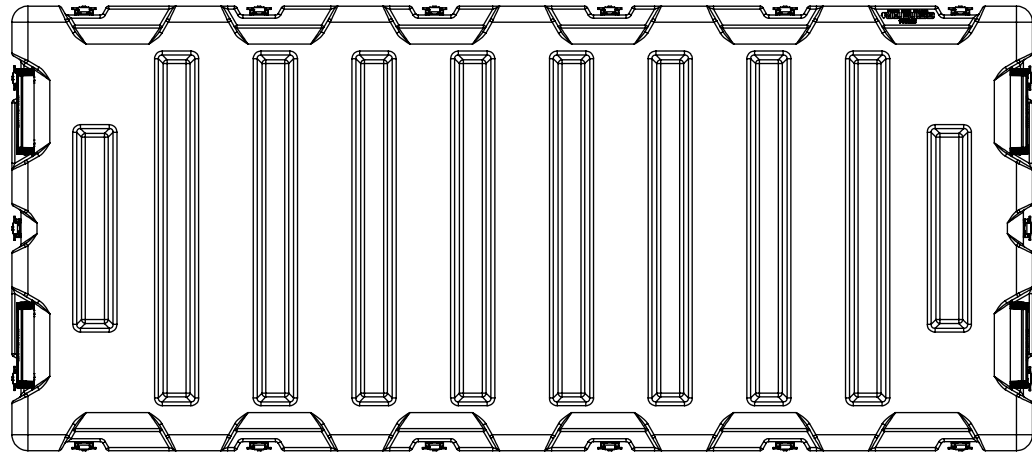


8 7 6 5 4 3 2 1



NOTE:  
DIMENSIONS X.X ARE EXTERIOR DIMENSIONS  
DIMENSIONS (X.X) ARE INTERIOR DIMENSIONS

**SPECIALTY CASES**  
[DESIGN ■ SUPPORT ■ PROTECT]

P.O. Box 936  
Sykesville, MD 21784  
Phone: (800) 267-1674

<https://www.specialtycases.com>

<b>SOURCE SUPPLIER</b> Gemstar Manufacturing 103 Mensing Way Cannon Falls, MN 55009	<b>UNLESS OTHERWISE SPECIFIED:</b> DIMENSIONS ARE IN INCHES TOLERANCES MOLDED FEATURES +/- .030 + .005 IN/IN 5 AXIS MACHINED FEATURES FEATURE SIZE +/- .005 FEATURE TO FEATURE +/- 0.010 FIXTURE TO FEATURE +/- 0.031 HAND ROUTED FEATURE +/- .031	NAME	DATE	<b>GEMSTAR MANUFACTURING</b>  TITLE: <h1>SH6024-0909</h1>
		DRAWN CHECKED ENG APPR. MFG APPR.		
<b>CAGE CODE</b> <h2>36NE1</h2>	<b>INTERPRET GEOMETRIC TOLERANCING PER:</b> MATERIAL  FINISH  DO NOT SCALE DRAWING	Q.A. COMMENTS:		SIZE <h1>B</h1>
<b>PROPRIETARY AND CONFIDENTIAL</b> COMPUTER CONTROLLED DOCUMENT MANUAL ALTERATIONS PROHIBITED. INFORMATION CONTAINED IN THIS DRAWING ARE THE SOLE PROPERTY OF GEMSTAR MANUFACTURING. ANY REPRODUCTION IN PART OR AS A WHOLE WITHOUT THE WRITTEN PERMISSION OF GEMSTAR MANUFACTURING IS PROHIBITED.				DWG. NO. REV
			SCALE: 1:12	SHEET 1 OF 1

8 7 6 5 4 3 2 1