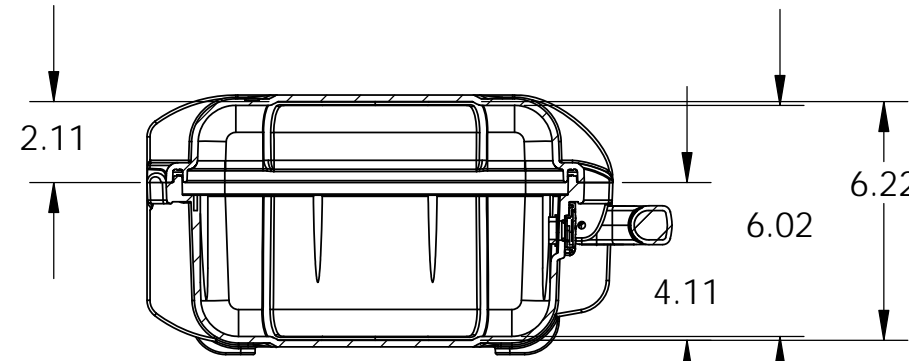
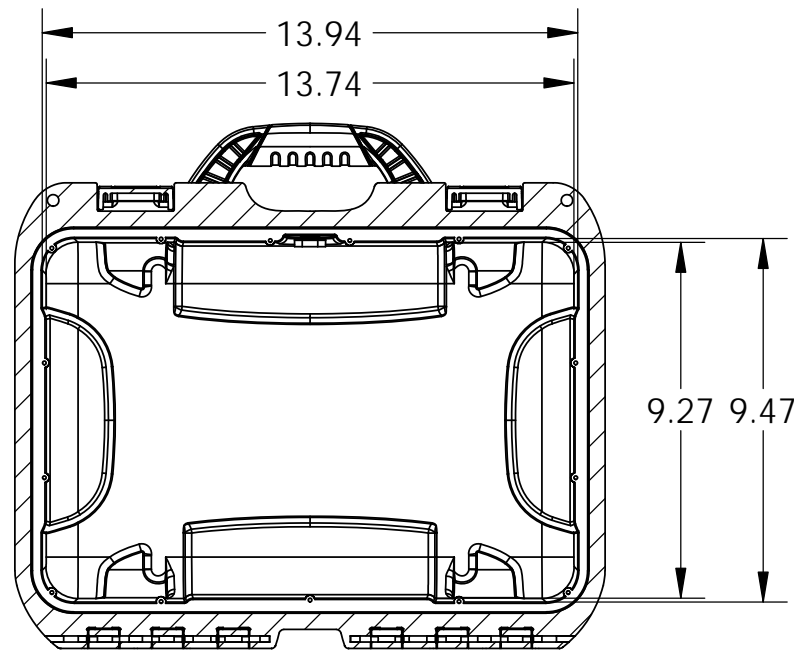
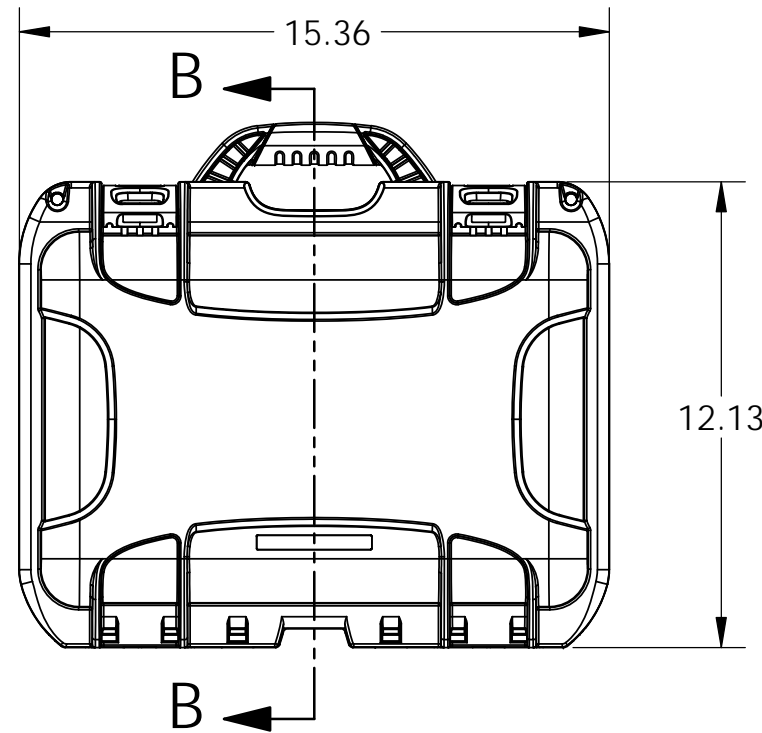
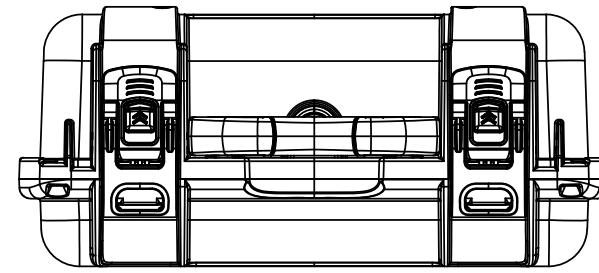
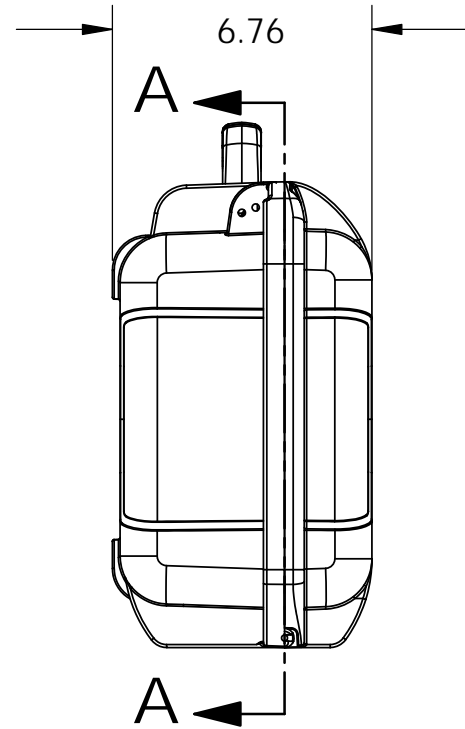
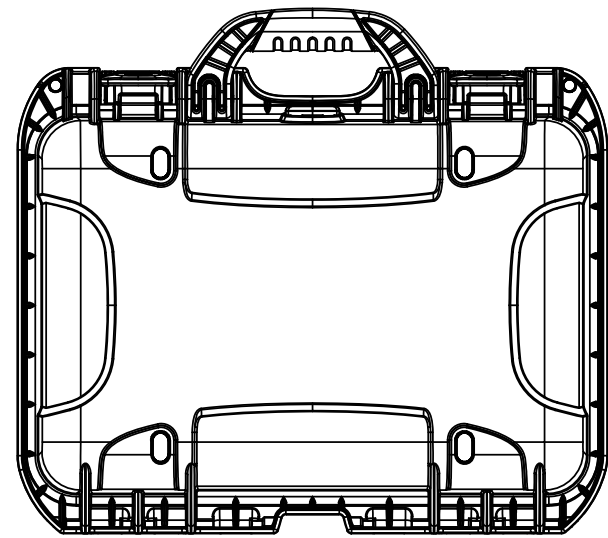


THE INFORMATION CONTAINED IN THIS DRAWING IS THE SOLE PROPERTY OF PLASTICASE ANY REPRODUCTION IN PART OR WHOLE WITHOUT THE WRITTEN PERMISSION OF PLASTICASE IS PROHIBITED.

REVISIONS			
REV.	DESCRIPTION	DATE	APPROVED



### NANUK 915 Specifications

Case Weight Empty	4.4lbs / 2.0kg
Interior Length	13.74" / 349mm
Interior Width	9.27" / 235mm
Interior Height	6.22" / 158mm
Interior Lid Depth	2.11" / 54mm
Interior Base Depth	4.11" / 104mm
Exterior Length	15.36" / 390mm
Exterior Width	12.13" / 308mm
Exterior Height	6.76" / 172mm
Master Pack Qty.	4
Master Pack Wt.	24.45lbs / 11.09kg
Max Buoyancy	35lbs / 15.88kg

SECTION A-A

SECTION B-B

### PARTS LIST

UNLESS OTHERWISE SPECIFIED DIMENSIONS ARE IN INCHES	CAD GENERATED DRAWING, DO NOT MANUALLY UPDATE		PLASTICASE		
	APPROVALS	DATE			
	DRAWN	B.C.	6/30/2011	NANUK 915	
	CHECKED				
MATERIAL	RESP ENG		NANUK 915		
FINISH	MFG ENG				
DO NOT SCALE DRAWING	QUAL ENG		SIZE B	DWG. NO.	REV.
			SCALE 1:5	CAD FILE: 915_ASSEMBLY	SHEET 1 OF 1