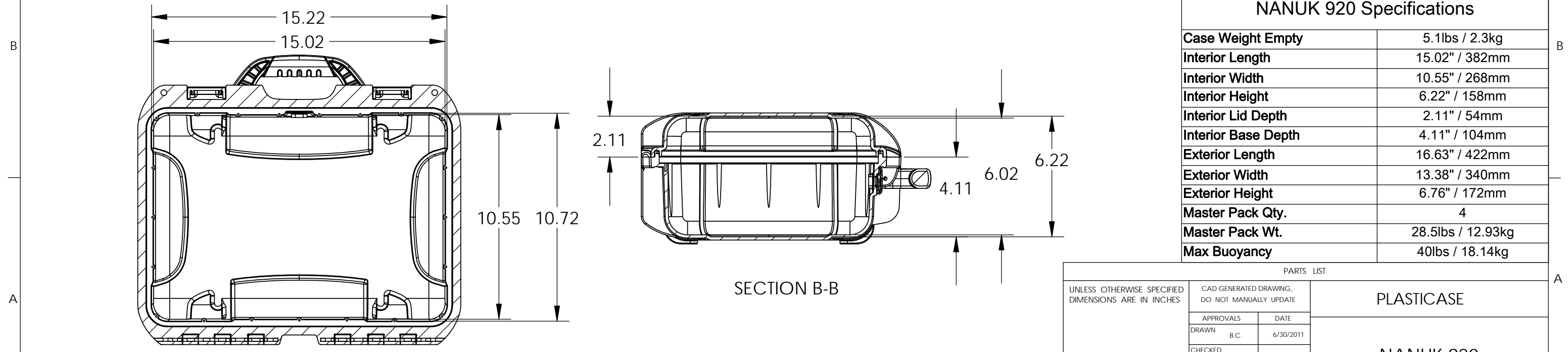
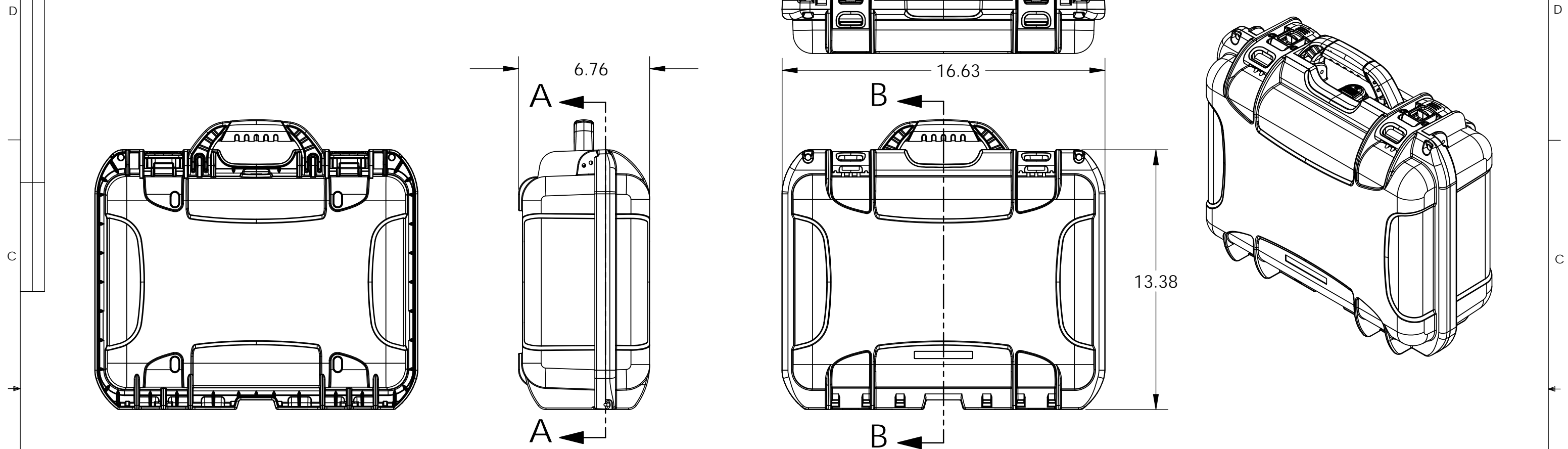


THE INFORMATION CONTAINED IN THIS DRAWING IS THE SOLE PROPERTY OF PLASTICASE ANY REPRODUCTION IN PART OR WHOLE WITHOUT THE WRITTEN PERMISSION OF PLASTICASE IS PROHIBITED.

REVISIONS			
REV.	DESCRIPTION	DATE	APPROVED



NANUK 920 Specifications	
Case Weight Empty	5.1lbs / 2.3kg
Interior Length	15.02" / 382mm
Interior Width	10.55" / 268mm
Interior Height	6.22" / 158mm
Interior Lid Depth	2.11" / 54mm
Interior Base Depth	4.11" / 104mm
Exterior Length	16.63" / 422mm
Exterior Width	13.38" / 340mm
Exterior Height	6.76" / 172mm
Master Pack Qty.	4
Master Pack Wt.	28.5lbs / 12.93kg
Max Buoyancy	40lbs / 18.14kg

PARTS LIST			
UNLESS OTHERWISE SPECIFIED DIMENSIONS ARE IN INCHES		CAD GENERATED DRAWING, DO NOT MANUALLY UPDATE	
APPROVALS		DATE	
DRAWN	B.C.	6/30/2011	
CHECKED			
RESP ENG			
MFG ENG			
QUAL ENG			
DO NOT SCALE DRAWING			
PLASTICASE		NANUK 920	
SIZE B	DWG. NO.	REV.	
SCALE 1:5	CAD FILE: 920_ASSEMBLY	SHEET 1 OF 1	