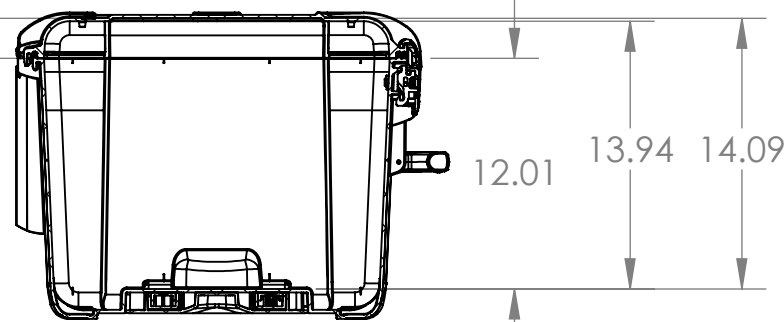
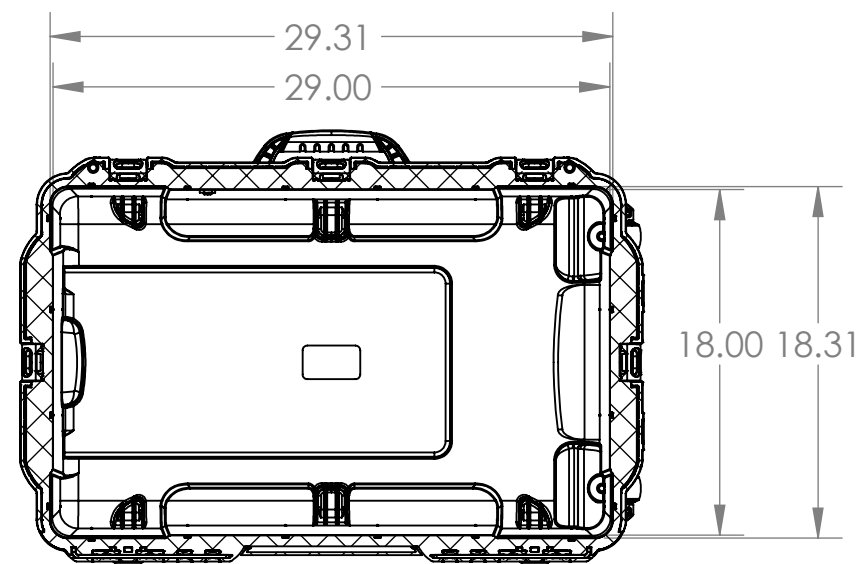
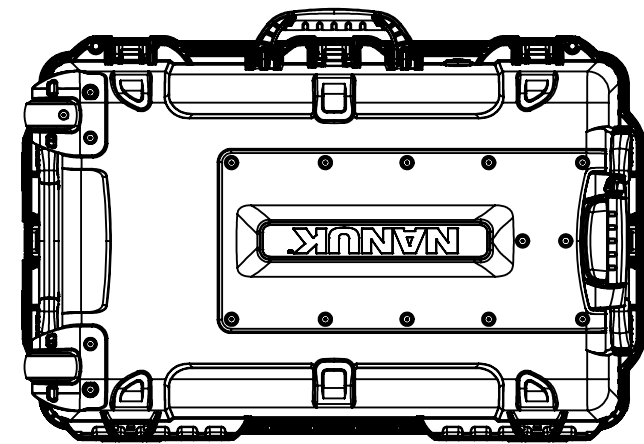
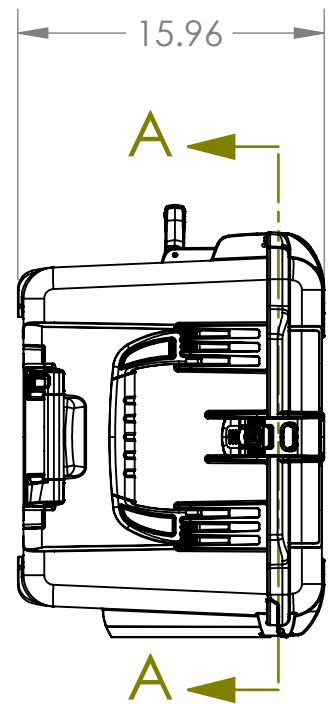
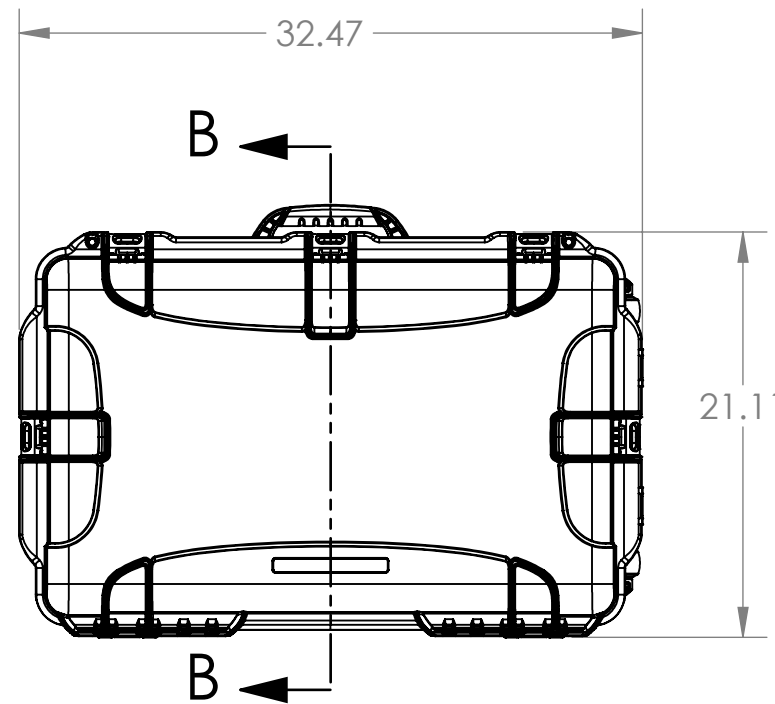
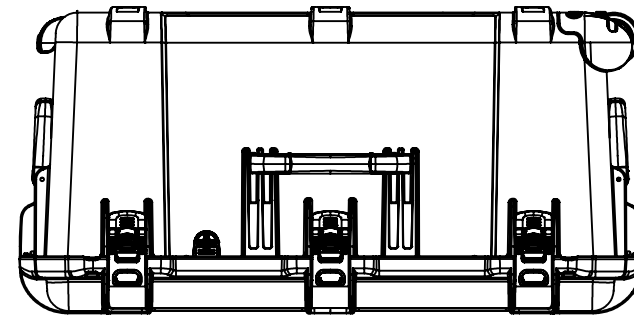
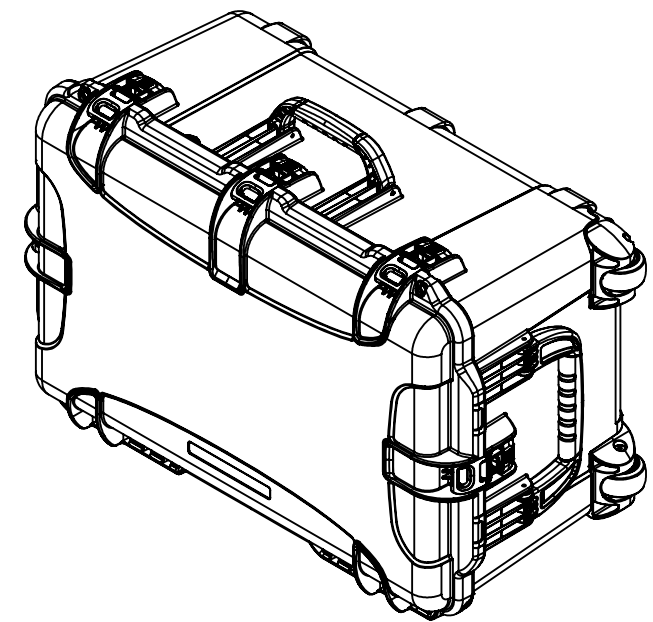


THE INFORMATION CONTAINED IN THIS DRAWING IS THE SOLE PROPERTY OF PLASTICASE ANY REPRODUCTION IN PART OR WHOLE WITHOUT THE WRITTEN PERMISSION OF PLASTICASE IS PROHIBITED.

| REVISIONS | | | |
|-----------|-------------|------|----------|
| REV. | DESCRIPTION | DATE | APPROVED |
| | | | |
| | | | |



NANUK 965 Specifications

| | |
|---------------------|----------------------|
| Case Weight Empty | 24.65 lbs / 11.18 kg |
| Interior Length | 29.0" / 737 mm |
| Interior Width | 18.0" / 457 mm |
| Interior Height | 13.9" / 353mm |
| Interior Lid Depth | 2.1" / 53 mm |
| Interior Base Depth | 12.0" / 305 mm |
| Exterior Length | 32.5" / 826 mm |
| Exterior Width | 21.1" / 536 mm |
| Exterior Height | 15.9" / 404 mm |
| Master Pack Qty. | 1 |
| Master Pack Wt. | TBD |
| Max Buoyancy | TBD |

PARTS LIST

| | | | |
|---|---|--------------------------------|--------------|
| UNLESS OTHERWISE SPECIFIED DIMENSIONS ARE IN INCHES | CAD GENERATED DRAWING, DO NOT MANUALLY UPDATE | | PLASTICASE |
| | APPROVALS | DATE | |
| | DRAWN S.C. | 31/10/2019 | |
| | CHECKED | | |
| MATERIAL | RESP ENG | | NANUK 965 |
| FINISH -- | MFG ENG | | |
| DO NOT SCALE DRAWING | QUAL ENG | | |
| | | | |
| SIZE B | | DWG. NO. | REV. |
| SCALE 1:10 | | CAD FILE: 965_Assembly_p.00_14 | SHEET 1 OF 1 |

SECTION A-A

SECTION B-B