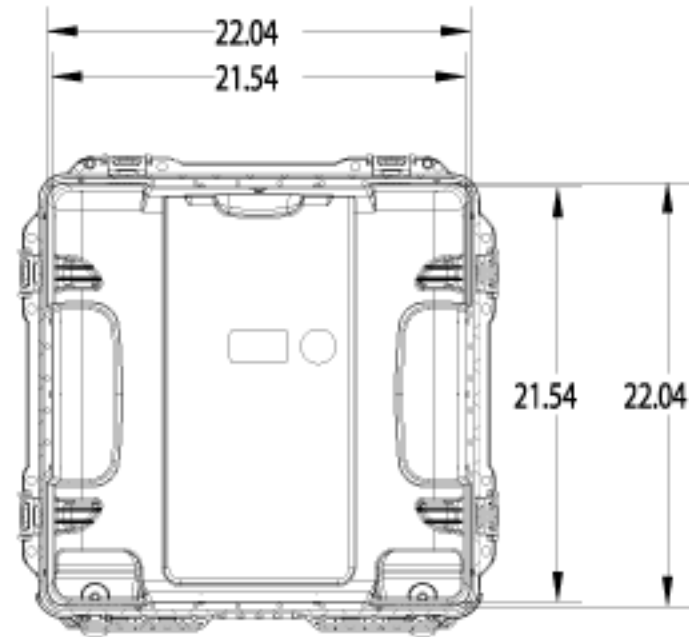
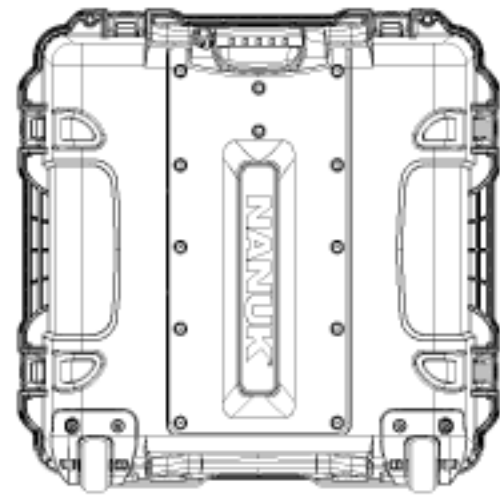
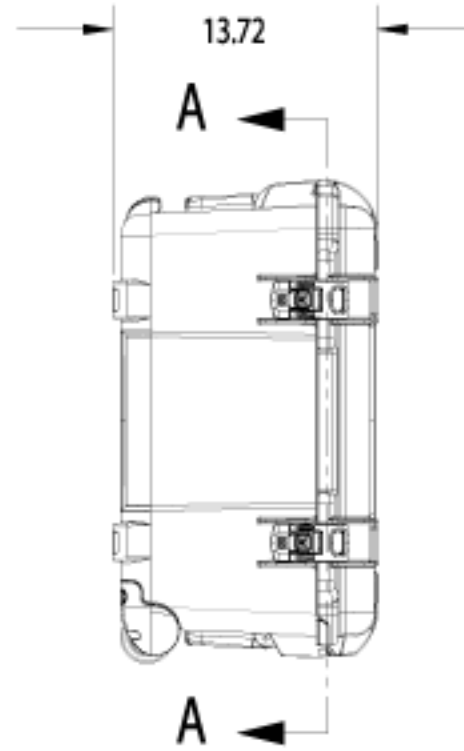


THE INFORMATION CONTAINED IN THIS DRAWING IS THE SOLE PROPERTY OF PLASTICASE. ANY REPRODUCTION IN PART OR WHOLE WITHOUT THE WRITTEN PERMISSION OF PLASTICASE IS PROHIBITED.

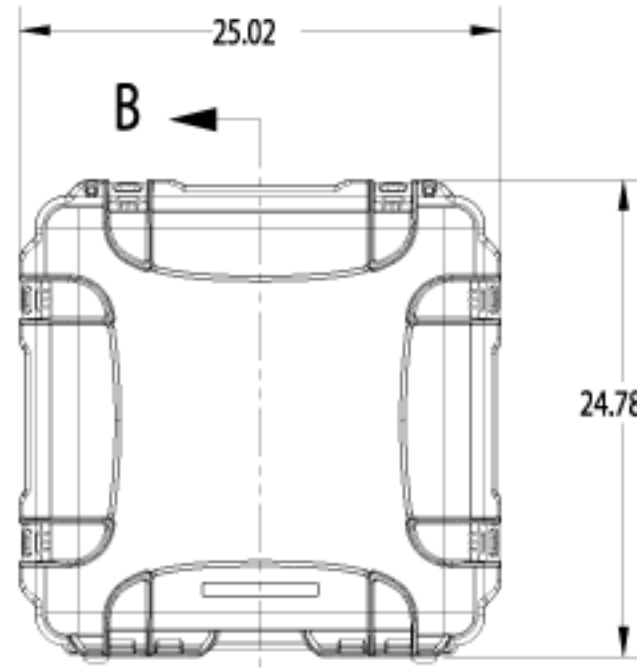
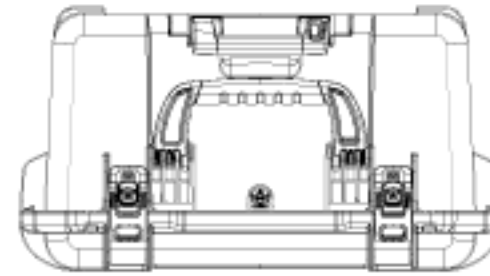
REVISIONS			
REV.	DESCRIPTION	DATE	APPROVED



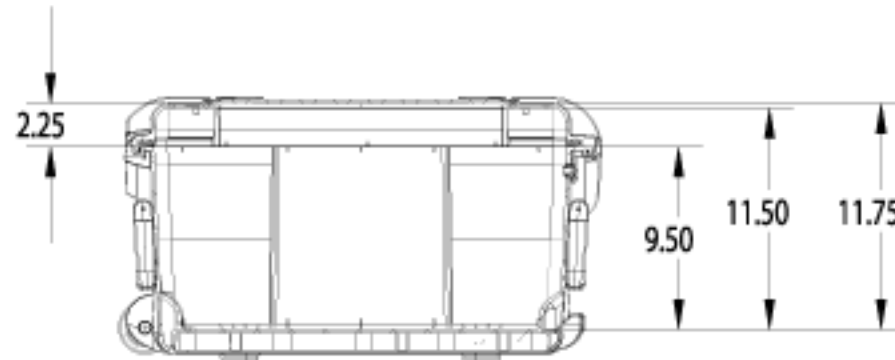
SECTION A-A



A



B



SECTION B-B



NANUK 968 Specifications

Case Weight Empty	21.5 lbs / 9.76 kg
Interior Length	21.5" / 546 mm
Interior Width	21.5" / 546 mm
Interior Height	11.8" / 300mm
Interior Lid Depth	2.3" / 58 mm
Interior Base Depth	9.5" / 241 mm
Exterior Length	25" / 610 mm
Exterior Width	14.7" / 627 mm
Exterior Height	13.6" / 345 mm
Master Pack Qty.	1
Master Pack Wt.	TBD
Max Buoyancy	TBD

PARTS LIST			
UNLESS OTHERWISE SPECIFIED DIMENSIONS ARE IN INCHES	CAD-GENERATED DRAWING DO NOT MANUALLY UPDATE		<p>PLASTICASE</p> <p>NANUK 968</p>
	APPROVALS	DATE	
	DRAWN S.C.	15/02/2020	
	CHECKED		
MATERIAL	RESP'ING		
FINISH	ARG'ING		
DO NOT SCALE DRAWING	QUAL'ING		
	SIZE B	DRG. NO.	REV.
	SCALE 1:10	CAD FILE: 968_Assembly_T1	SHEET 1 OF 1