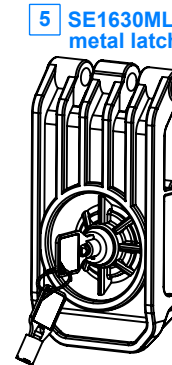
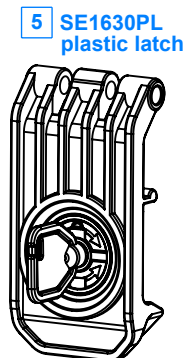
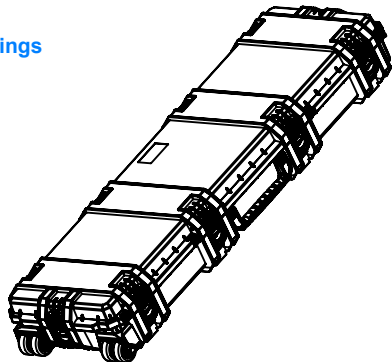
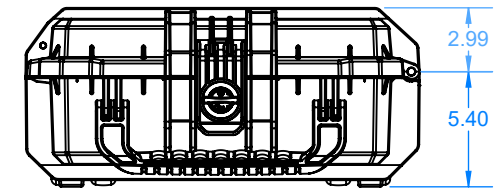
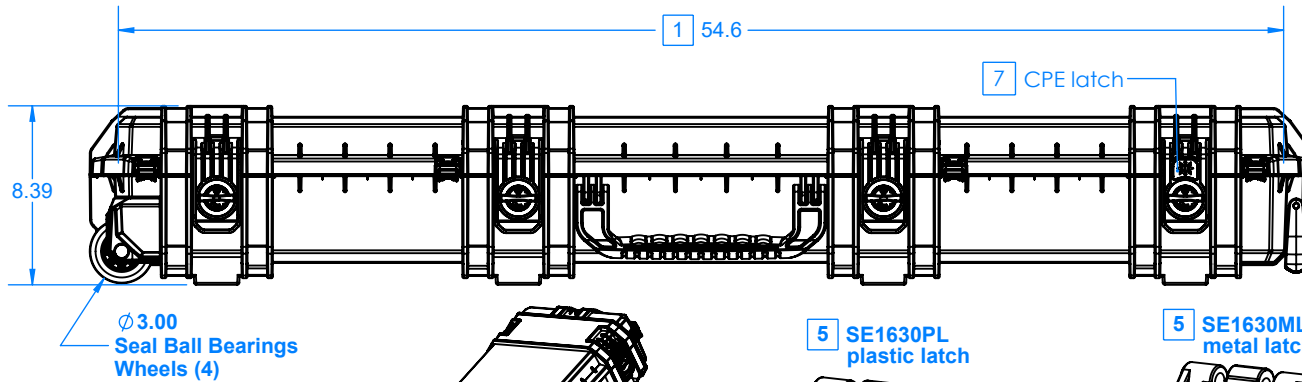
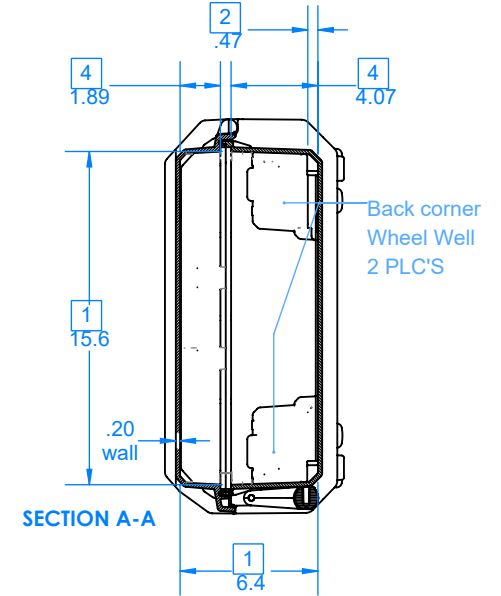
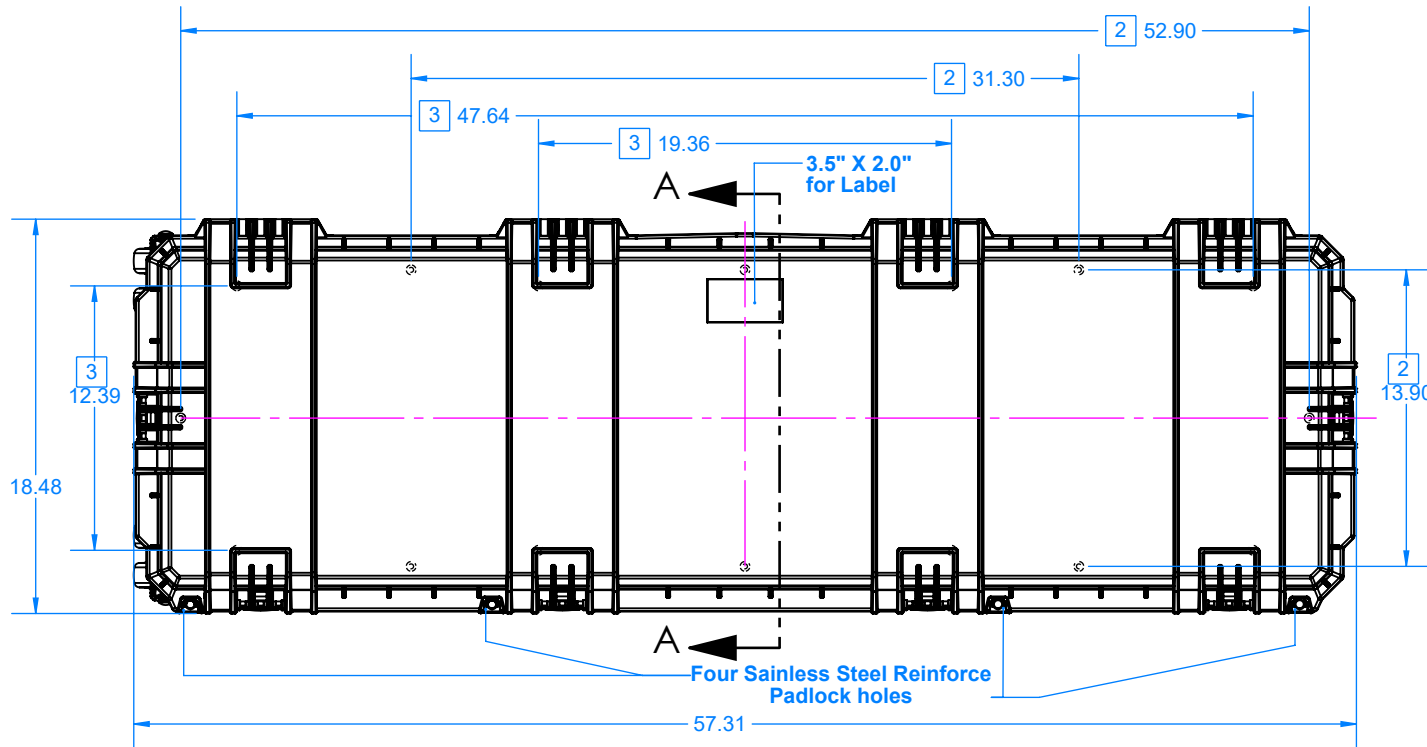


# SE 1630

**SPECIALTY CASES**

[DESIGN ■ SUPPORT ■ PROTECT]



## NOTES:

- 1) Max. usable inside dimensions are: 54.6" X 15.6" X 6.4"
- 2) Bosses on bottom use a # 1/4 self tapping screw.
- 3) Bosses on top use a # 10 self tapping screw.
- 4) Dimensions to bottom of panel flange.
- 5) Optional latches with Metal Lock specify p/n 1630ML  
Optional latches with Plastic Lock specify p/n 1630PL
- 6) Weight empty/w-foam: 27.8/31.10 lb.  
Buoyancy: 172 lb.  
Weight Capacity: 120 lb.
- 7) CPE = Continues Pressure Equalization latch.