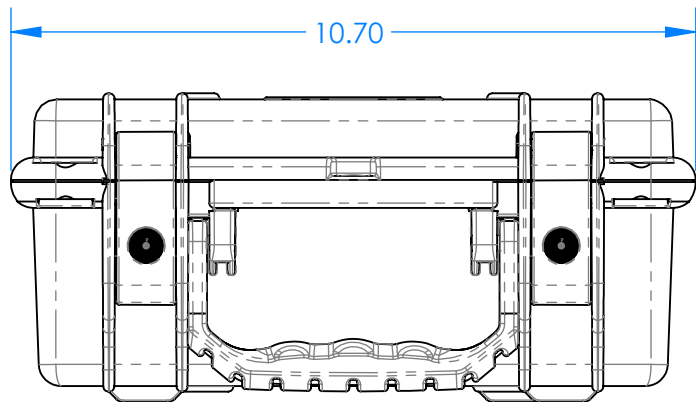
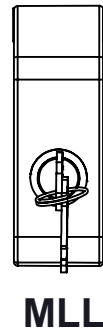
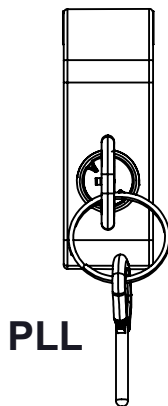


SECTION A-A

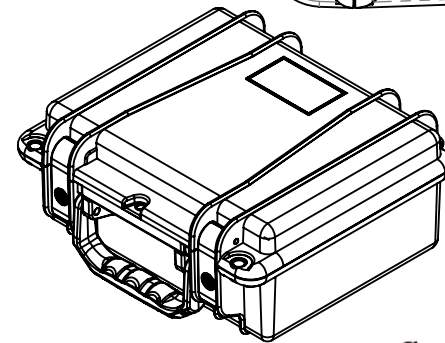


Latch with Plastic Lock

Latch with Metal Lock



Optional latches must be specified at time of order. See note 2



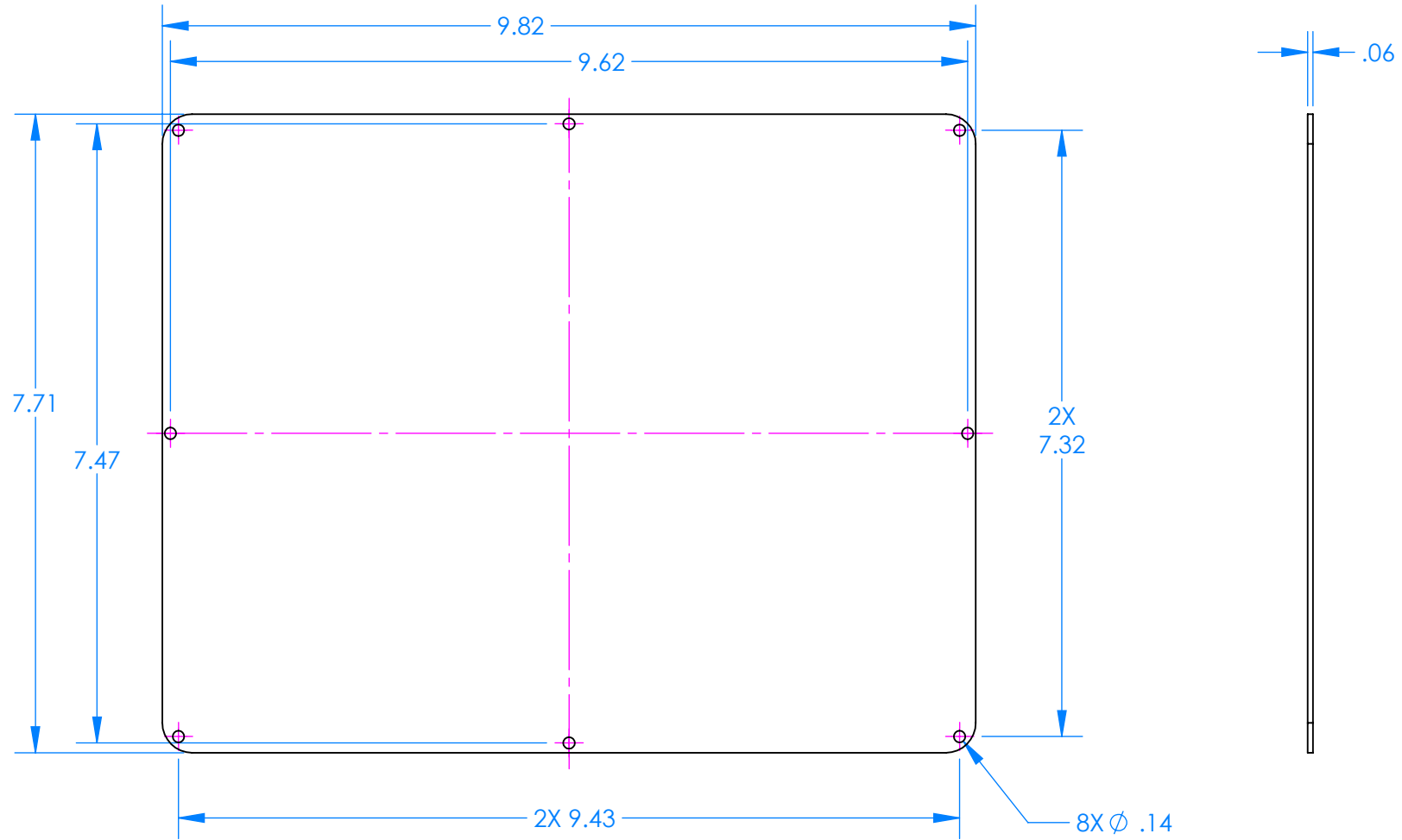

SPECIALTY CASES
[DESIGN ■ SUPPORT ■ PROTECT]

NOTES:

- 1) Max. usable inside dimensions are: 9.25" X 7.10" X 4.10"
- 2) With Metal Lock Latches p/n 300ML and Plastic Lock Latches p/n 300PL are optional.

3/6/18

7351 Top Panel for 300



7352 Bottom Panel for 300

