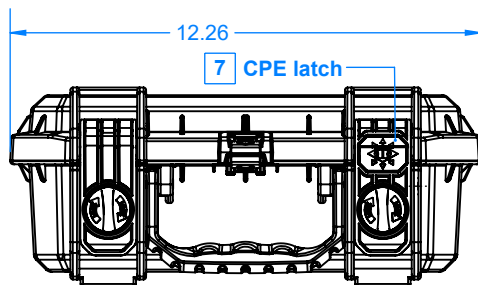
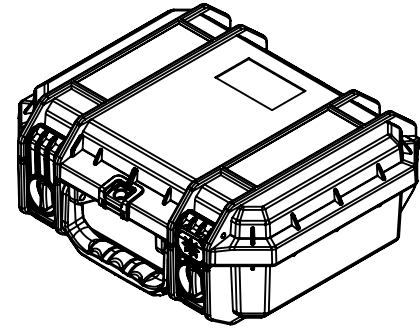
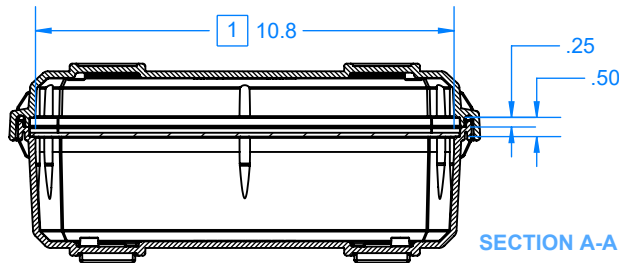
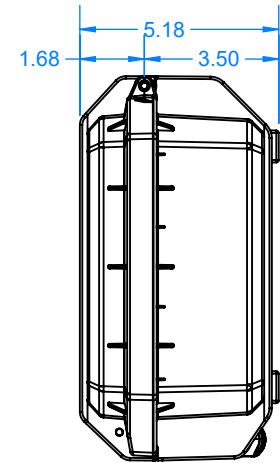
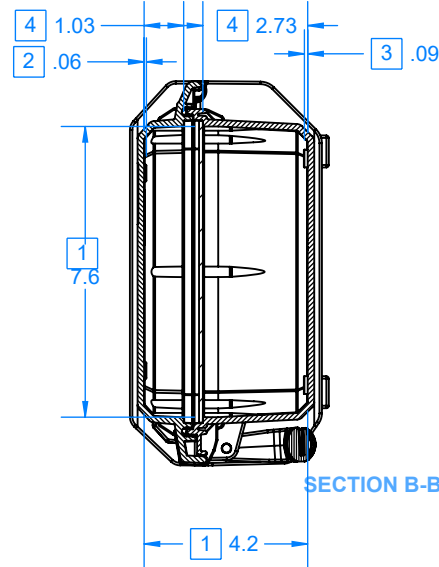
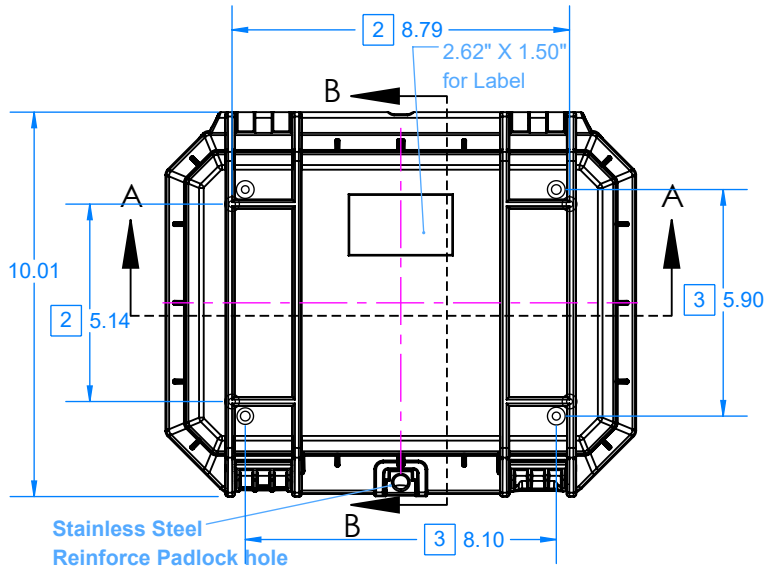
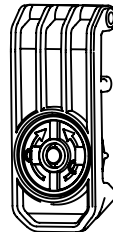


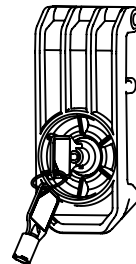
# SE331



5 SE335PL plastic lock



5 SE335ML metal lock



## NOTES:

- 1) Max. usable inside dimensions are: 10.8" X 7.6" X 4.2"
- 2) Bosses on Top use a #10 self tapping screw.
- 3) Bosses on bottom use a #10 self tapping screw.
- 4) Dimensions to bottom of panel flange.
- 5) Optional latches specify:  
SE331ML with Metal Lock.  
SE331PL with Plastic Lock.
- 6) Weight empty/w-foam: 2.8/3.00 lb.  
Buoyancy: 11 lb.  
Weight capacity: 30 lb.
- 7) CPE = Continues Pressure Equalization latch.