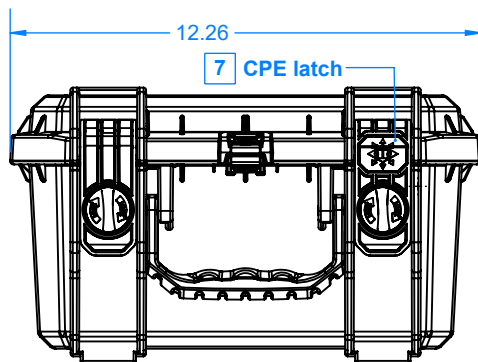
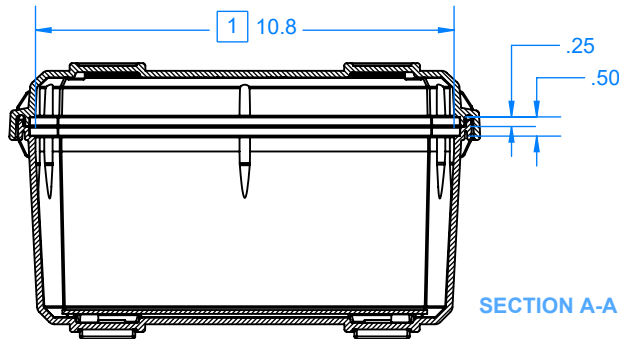
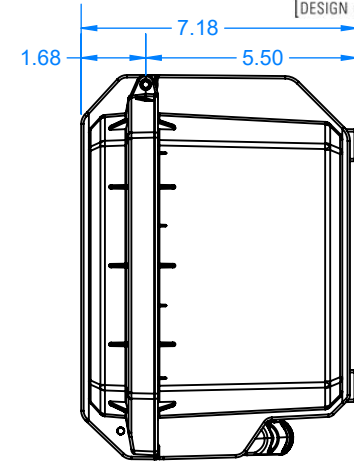
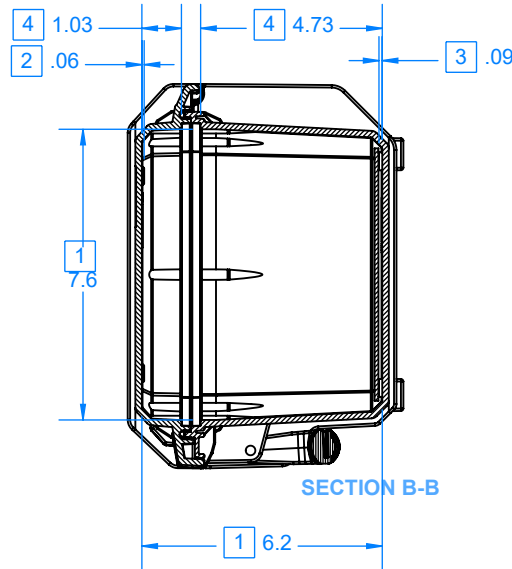
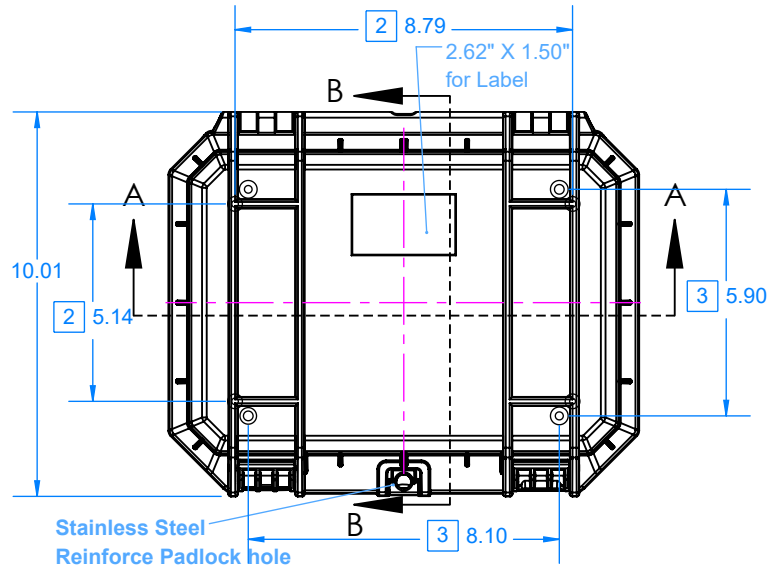
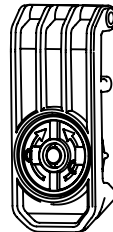


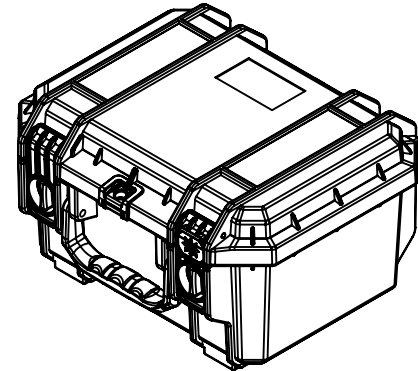
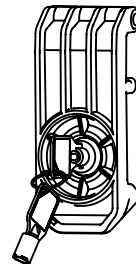
SE333



5 SE335PL plastic lock



5 SE335ML metal lock



NOTES:

- 1) Max. usable inside dimensions are: 10.8" X 7.6" X 6.2"
- 2) Bosses on Top use a #10 self tapping screw.
- 3) Bosses on bottom use a #10 self tapping screw.
- 4) Dimensions to bottom of panel flange.
- 5) Optional latches specify:
SE333ML with Metal Lock.
SE333PL with Plastic Lock.
- 6) Weight empty/w-foam: 3.3/3.6 lb.
Buoyancy: 15 lb.
Weight capacity: 37 lb.
- 7) CPE = Continuous Pressure Equalization latch.