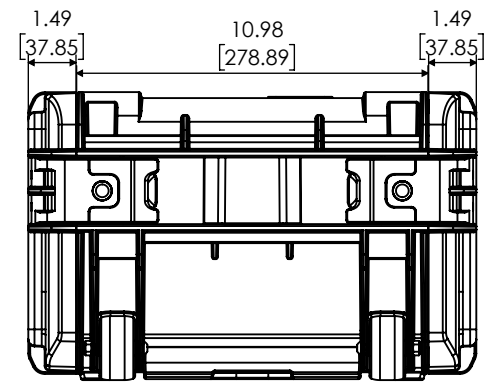
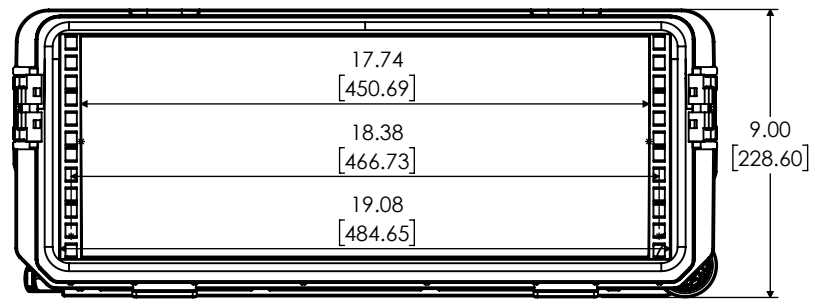
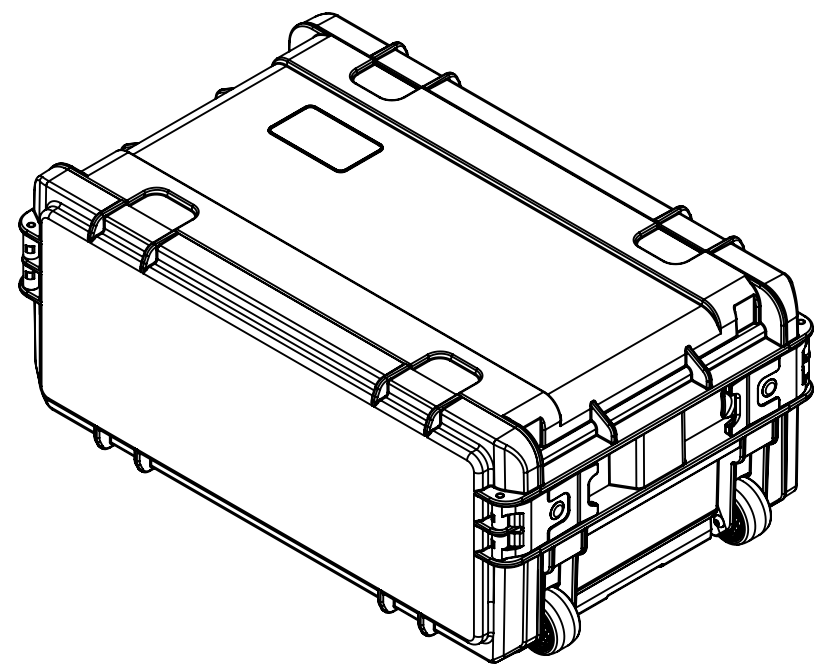
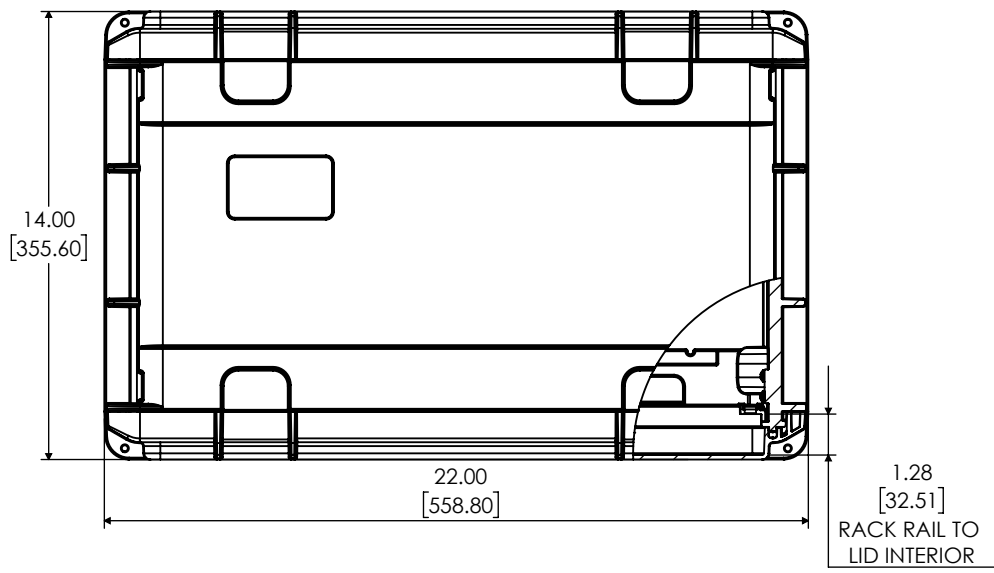



10 9 8 7 6 5 4 3 2 1

K
J
H
G
F
E
D
C
B
A



This drawing and all information details are the sole property of Specialty Cases. Any unauthorized use will be punished to the full extent of the law.

INCHES		DATE	07/26/24	3i-4U11-W	REV A
[MILLIMETERS]		WEIGHT	13 LBS	 SPECIALTY CASES <small>[DESIGN • SUPPORT • PROTECT]</small> SPECIALTY CASES PO BOX 936, Sykesville, MD 21784 Phone: 800.267.1674	
X	Y	Z	RACK		
LENGTH	22.00	558.80	11.16"		
WIDTH	14.00	355.60	19.08"		
HEIGHT	9.00	228.60	4U		

10 9 8 7 6 5 4 3 2 1