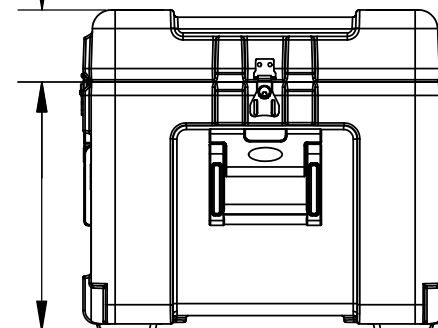


3.75"  
(3.25")



3R2216-15

**SPECIALTY CASES**

[DESIGN ■ SUPPORT ■ PROTECT]

P.O. Box 936  
Sykesville, MD 21784  
Phone: (800) 267-1674

<http://www.specialtycases.com>

NOTE: DIMENSIONS IN (X.XX) ARE ID

This drawing and all information details are the sole property of Specialty Cases. Any unauthorized use will be punished to the full extent of the law.	Case Series:	Mil-Standard	Dimensions (for reference only)				
	Case part#	3R2216-15	Length	Width	Overall	Base / Lid	
	Weight:	17.7 LBS EMPTY					left to right
			Exterior	24.97"	18.97"	16.73"	12.98"-3.75"
			Inerior	22.12"	16.12"	15.29"	12.04"-3.25"

5

4

3

2

1